

Specialists in Engineering Solutions for the Recycling and Material Handling Sectors



The Anaconda **FTR** Range of Mobile Tracked Feeders are designed for the Material Handling Sector and aim to reduce handling time and save stockpiling costs.

The **FTR100** is the smaller of our Feed Loader Range. Fully equipped with a 10M Stockpiling Conveyor it allows for stockpiling or feeding of a range of applications. The **FTR100** has variable speed conveyors in order to facilitate for different applications such as sand, gravel, aggregates, compost, coal and wood chip.

The **FTR100** can be shipped worldwide within a 40' sea container and has become widely recognised in the market. Set up is simple and the machine can be running within 20 minutes of delivery. Commissioning is aided with the hydraulic controls to position and guide all the Conveyors and Landing Legs.

Anaconda stock a full range of spare parts as a display of our commitment to provide a dedicated and responsive service to all our customers.



Head Quarters:

Anaconda Equipment 'A McLanahan Company',
Ardboe Business Park,
Kilmascally Road,
Dungannon, Co. Tyrone
BT71 5BJ



Contact us :

Tel - +44 (0) 28 86737878

Fax - +44 (0) 28 867 36675

Email - sales@anacondaequipment.com



Specialists in Engineering Solutions for the Recycling and Material Handling Sectors

SPECIFICATIONS AND TECHNICAL DETAILS

Features

- Hopper capacity max volume of 10M³ (With extensions)
- Variable Speed 4 Ply 42" Wide Belt Feeder
- Hydraulic jacking legs for ease of set up
- Hydraulic folding head section as standard
- Easy access to engine compartment

Weight

- Open Feed (12,700KG)
- With Tipping Grid (14,400KG)
- With Livehead (17,200KG)

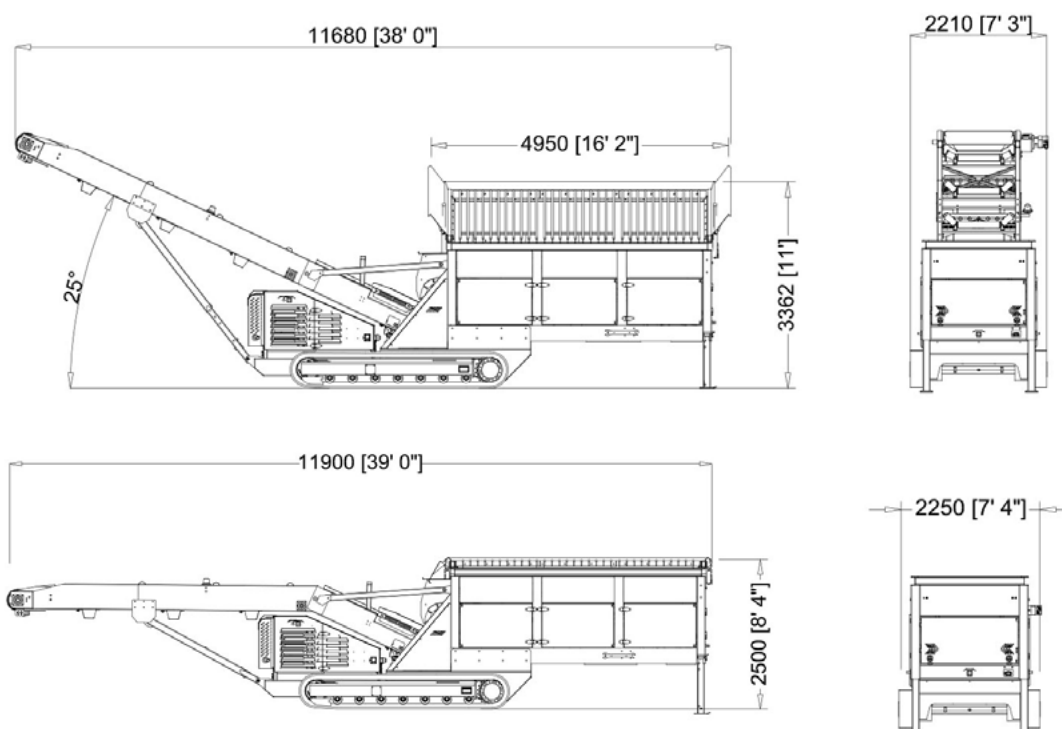
Engine Options

- Stage 5 – T.Deutz TD 2.9 L4 (50Kw)
- Stage 5 – JCB DieselMAX (55Kw)
- Stage 5 – CAT

Options

- Remote tipping grid
- Straight/Flared extensions
- 2 Deck vibrating grid
- Dust cover over the main belt
- Radio remote control
- Overband Magnet
- Mulching drum in feeder hopper

WORKING AND TRANSPORTATION DIMENSIONS



Anaconda sell and distribute our entire product portfolio via a Dealer Network,
For your nearest dealer please contact us or visit our website.

Anaconda reserves the right to make changes to design without reservation and without notification.

Tonnage estimations are dependent on fractions, material type, size and application.

WWW.ANACONDAEQUIPMENT.COM

FOLLOW OUR SOCIAL MEDIA CHANNELS

