

PARTS MANUAL



EXTEC SCREENS AND CRUSHERS LTD

HEARTHCOTE ROAD,
SWADLINCOTE,
DERBYSHIRE,
DE11 9DU, ENGLAND.
TEL: +44 (0)1283 212121
FAX: +44 (0)1283 217342

PARTS MANUAL:-

CONTENTS

<u>SERIAL NO. OF MACHINE WITH THIS MANUAL</u>	PAGE:- 3
<u>LOOSE PARTS SUPPLIED WITH MACHINE</u>	PAGE:- 3
<u>GENERAL MACHINE DIMENSIONS</u>	PAGE:- 4
<u>CHASSIS AND TANDEM BOGIE</u>	PAGE:- 5 - 7
CHASSIS FRAME & JACKING LEGS	PAGE:- 5
AXLE & WHEELS	PAGE:- 6
<u>HOPPER AND CONVEYOR ASSEMBLY</u>	PAGE:- 8 - 12
HOPPER	PAGE:- 8 - 9
HOPPER CONVEYOR	PAGE:- 10
<u>HOPPER GRID ASSEMBLY</u>	PAGE:- 13 - 14
<u>POWER PACK ASSEMBLY</u>	PAGE:- 15 - 20
OIL TANK AND VALVES	PAGE:- 15
DEUTZ ENGINE	PAGE:- 16
DIESEL TANK & FUEL FILTER	PAGE:- 17
EXHAUST / AIR INTAKE	PAGE:- 18
<u>MAIN CONVEYOR ASSEMBLY</u>	PAGE:- 21 - 26
TOP ROLLERS & FOLDING JOINT	PAGE:- 21
RETURN END	PAGE:- 22
DRIVE END	PAGE:- 23
H - FRAME	PAGE:- 24
<u>SCREEN ASSEMBLY</u>	PAGE:- 27 - 31
SIDE CONVEYORS & SUPPORT RINGS	PAGE:- 27
DRIVE COMPONENTS	PAGE:- 28
INNER & OUTER BEARINGS	PAGE:- 30
SCREEN MESH & CHUTES	PAGE:- 29
SCREEN MESHES	PAGE:- 50
<u>HYDRAULIC CIRCUIT</u>	PAGE:- 32 - 33
<u>WIRING DIAGRAM</u>	PAGE:- 34 - 35

CONTENTS CONTINUED

PARTS MANUAL:- CONTENTS CONT.

OPTIONS

REMOTE CONTROL

PAGE:- 36 - 37

SHREDDER ASSEMBLY

PAGE:- 38 - 41

HOPPER

PAGE:- 38

DRIVE AND FLAILS

PAGE:- 39

LIFTING LEGS

PAGE:- 40

TRANSPORTATION

PAGE:- 42 - 43

TRANSPORTATION DIMENSIONS

PAGE:- 43

VIBRATING GRID ASSEMBLY

PAGE:- 44 - 49

GRID FRAME & SUSPENSION

PAGE:- 44

GRID BEAM JOINTS & GRID SHAFT

PAGE:- 45

DRIVE, NON DRIVE AND MESH CLAMPS

PAGE:- 46

GRID SIDE

PAGE:- 47

GRID MESHES

PAGE:- 50

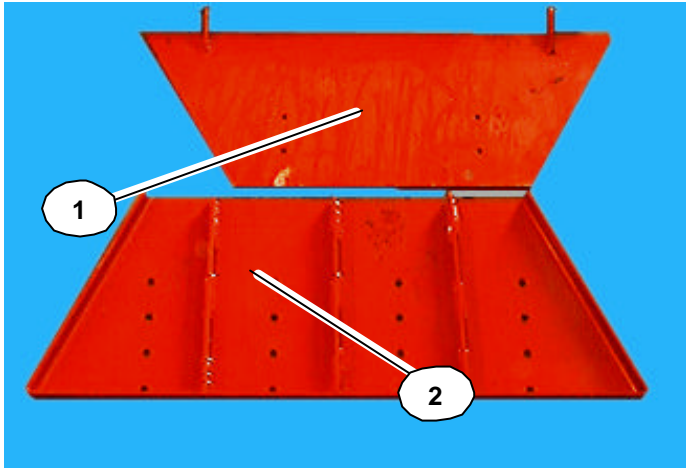
NOTE

EVERY EFFORT HAS BEEN MADE TO ENSURE THE ACCURACY OF THIS MANUAL AT THE TIME OF ITS PUBLICATION. HOWEVER WITH EXTEC'S POLICY TO CONTINUALLY IMPROVE THEIR MACHINES PERFORMANCE AND RELIABILITY, YOUR MACHINE MAY NOT COINCIDE ENTIRELY WITH THIS MANUAL .

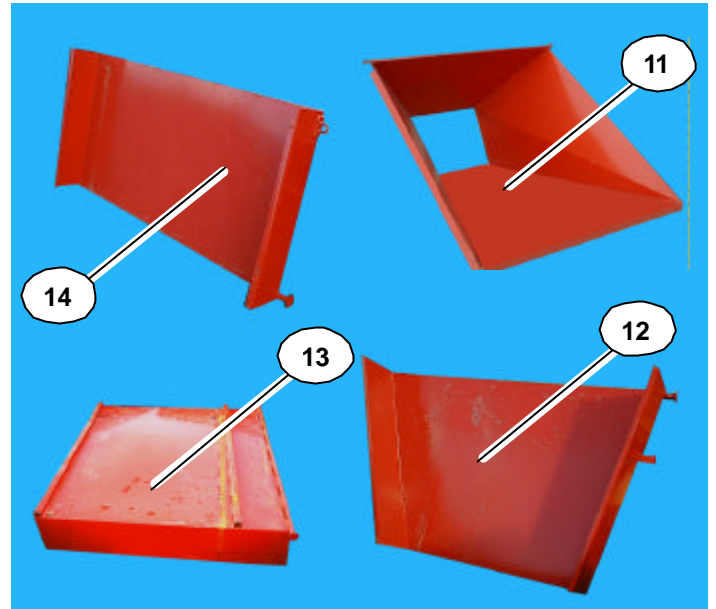
THEREFORE BEFORE PLACING ANY ORDERS FOR SPARES WE RECOMMEND THAT YOU CONTACT OUR SERVICE DEPARTMENT (WITH YOUR MACHINE SERIAL NO.) FOR PART No. VERIFICATION.

LOOSE COMPONENTS SUPPLIED WITH 6000

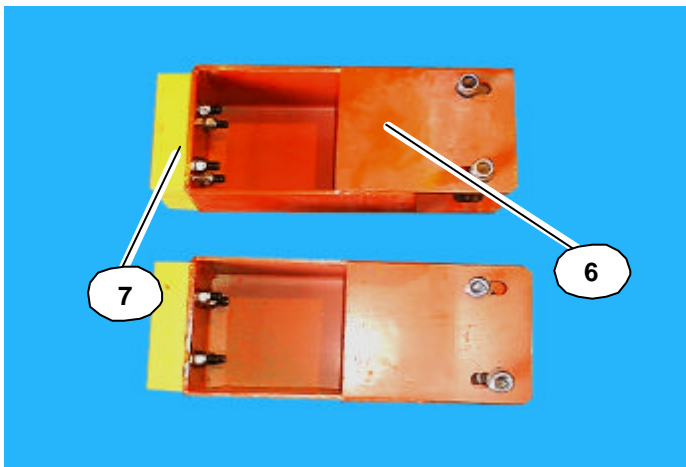
MACHINE SERIAL NO.



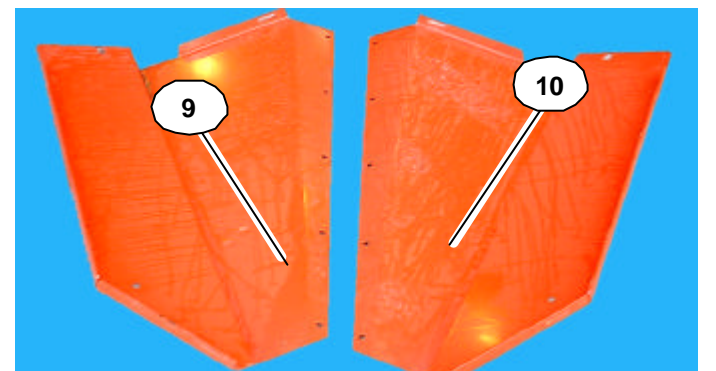
HOPPER CAT FLAP & DEFLECTOR



SCREEN CHUTE OPTIONS



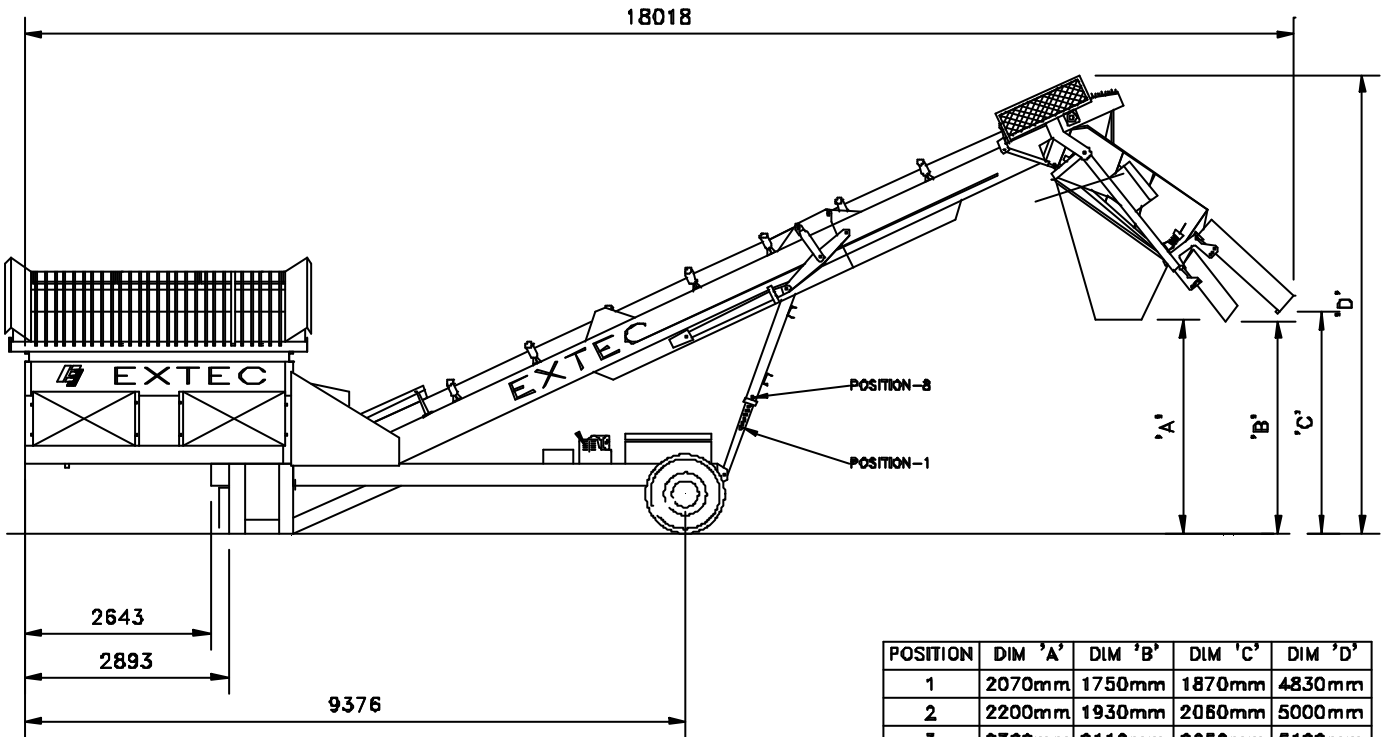
GRID SUPPORTS



HOPPER SPILLPLATES

ITEM NO.	PART No.	PART DESCRIPTION	QTY
1	C306 00 00	HOPPER CAT FLAP	1
2	C307 00 00	HOPPER ADJUSTABLE INNER DEFLECTOR PLT	1
3			
4	6S07000200	FINISHING KIT	1
5			
6	H134 00 00	HEIGHT ADJUSTING STOOL	2
7	RU005	IMPACT BLOCK	2
8			
9	C310 00 00	HOPPER DISCHARGE PLATE LH	1
10	C311 00 00	HOPPER DISCHARGE PLATE RH	1
11	G091 00 00	DISCHARGE FINES FUNNEL	1
12	G089 00 00	BOTTOM DECK CHUTE ASSEMBLY	1
13	G090 00 00	FINES DEFLECTION CHUTE	1
14	G098 00 00	SMALL SECONDARY CHUTE	1
15			

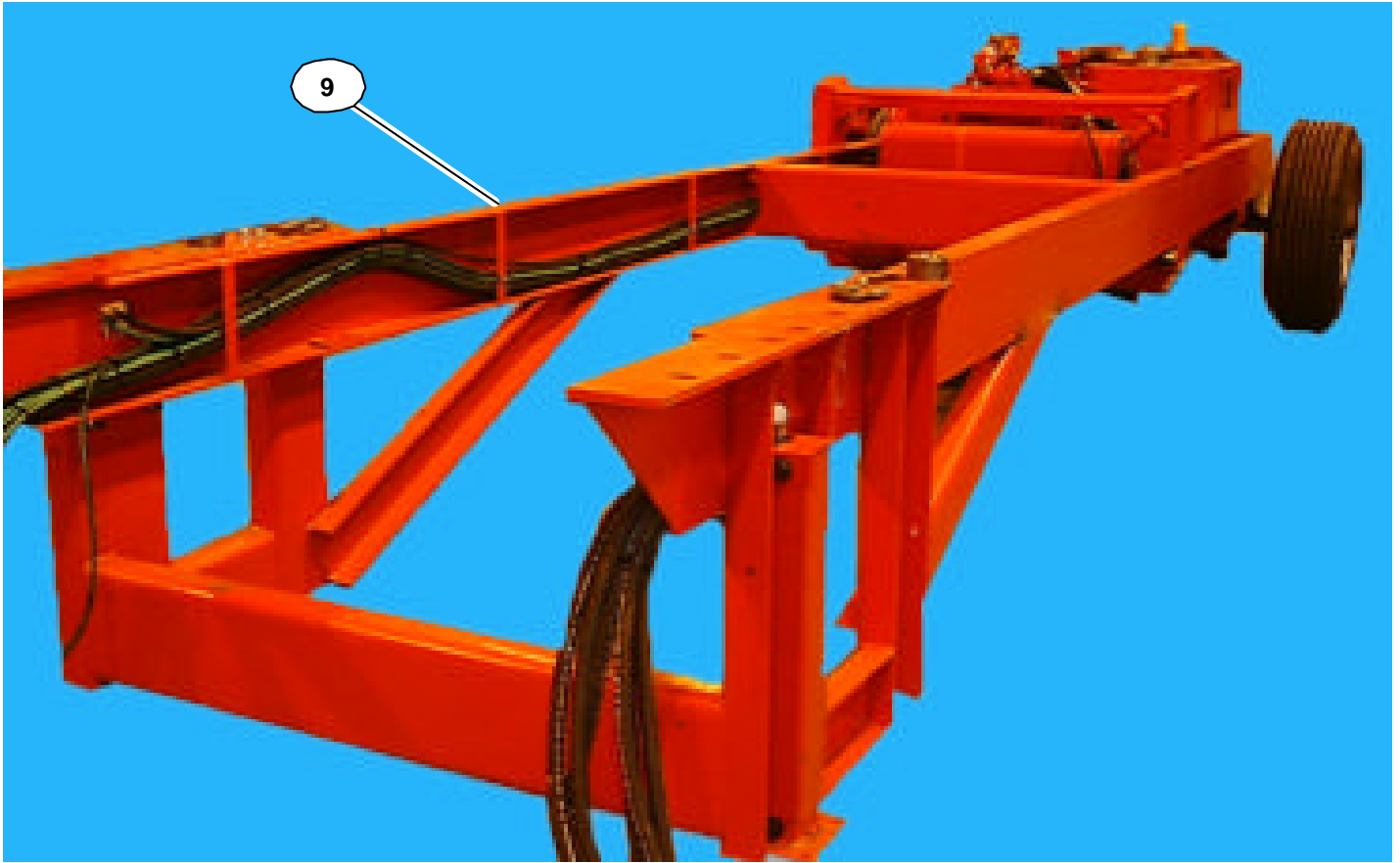
GENERAL MACHINE DIMENSIONS



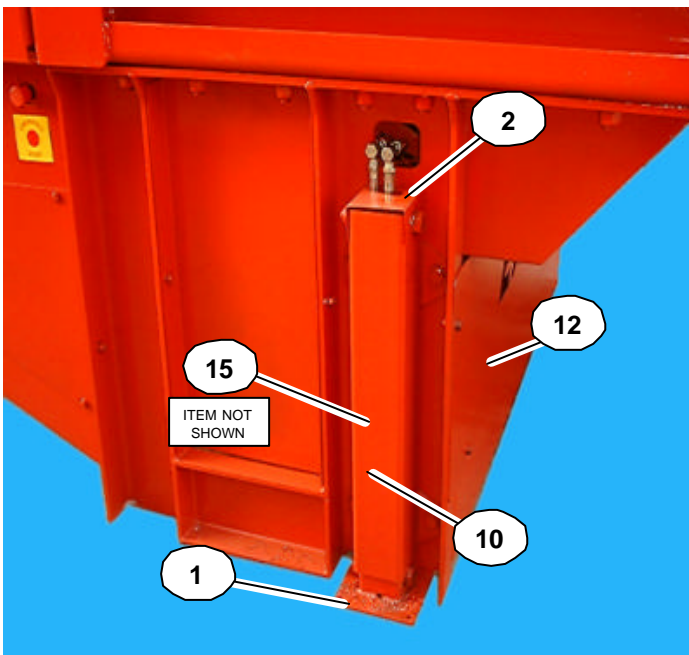
POSITION	DIM 'A'	DIM 'B'	DIM 'C'	DIM 'D'
1	2070mm	1750mm	1870mm	4830mm
2	2200mm	1930mm	2080mm	5000mm
3	2360mm	2110mm	2250mm	5100mm
4	2500mm	2280mm	2440mm	5230mm
5	2670mm	2480mm	2630mm	5420mm
6	2820mm	2620mm	2810mm	5750mm
7	3000mm	2880mm	3030mm	5800mm
8	3100mm	2970mm	3150mm	5900mm

All dimensions approx

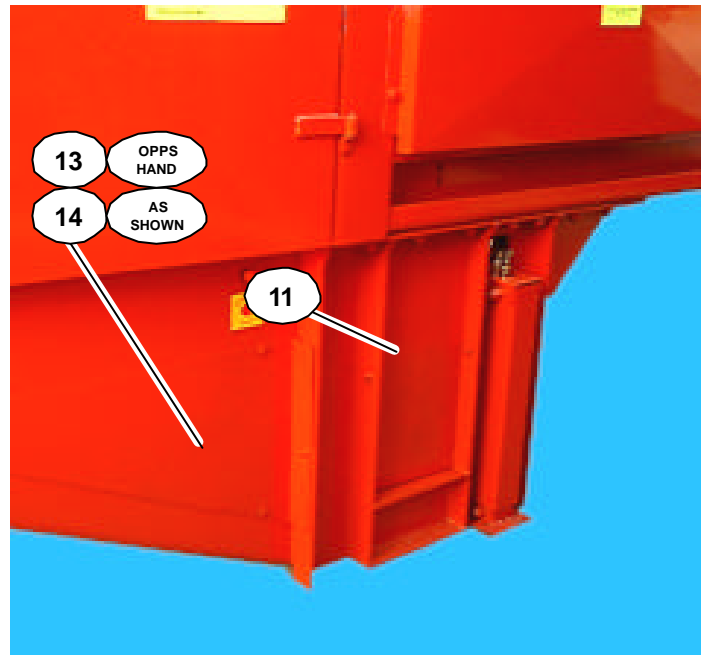
CHASSIS AND TANDEM BOGIE



CHASSIS

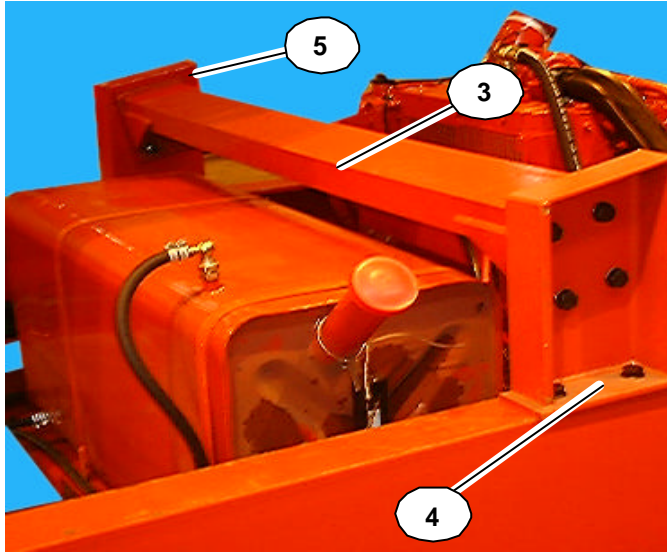


JACKING LEG

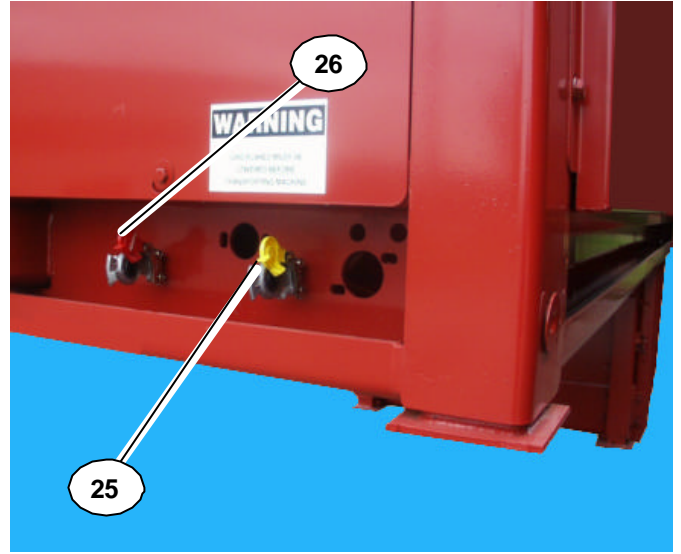


CHASSIS SIDE PANELS

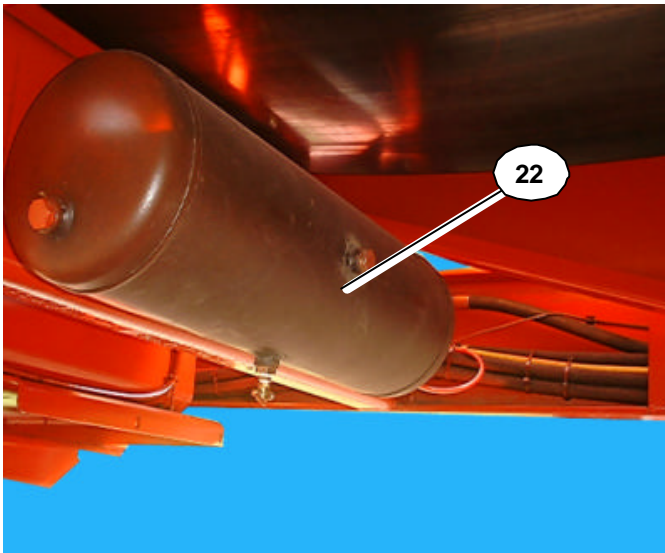
CHASSIS AND TANDEM BOGIE



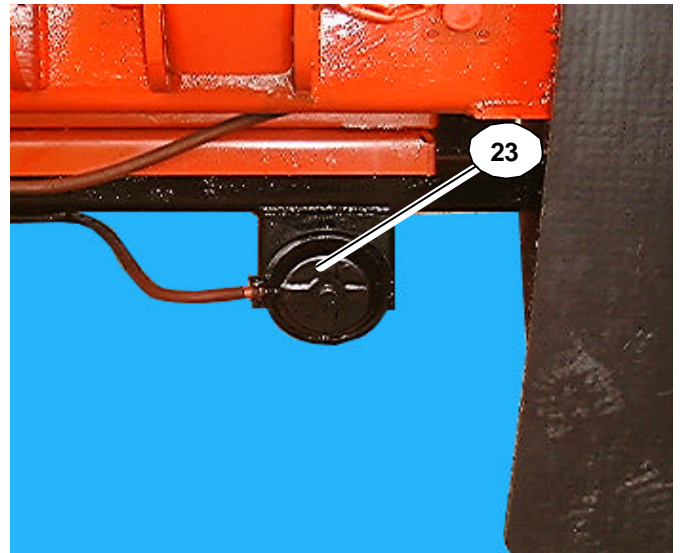
CONVEYOR SUPPORT



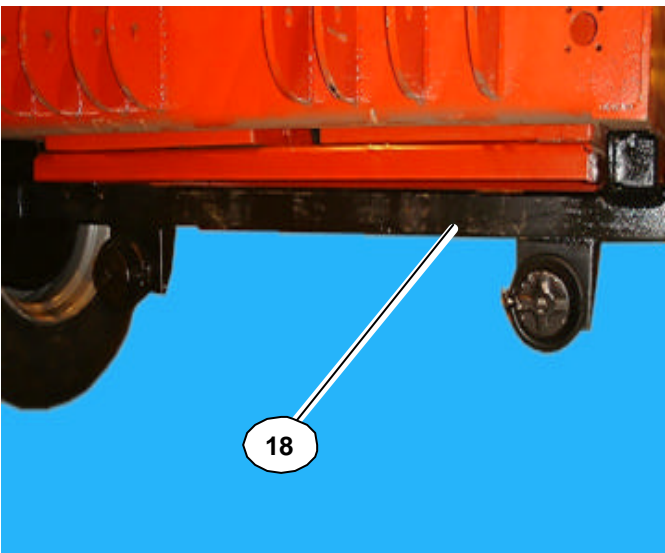
AIR BRAKE CONNECTORS



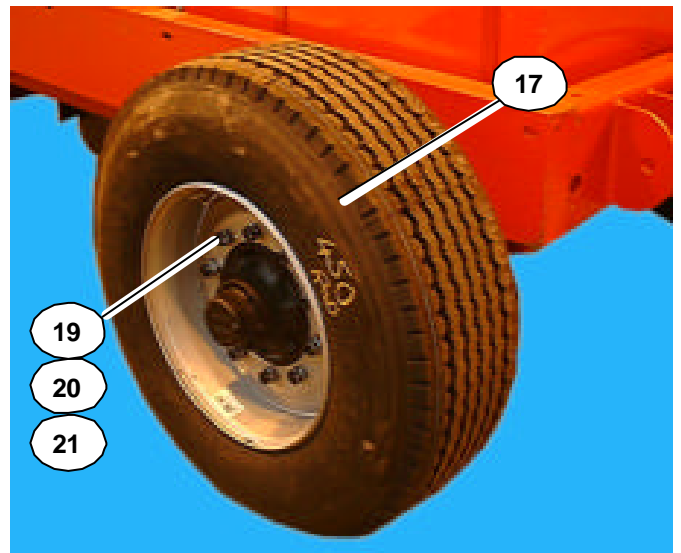
AIR BRAKE CYLINDER



AIR BRAKE CHAMBER



CHASSIS AXLE

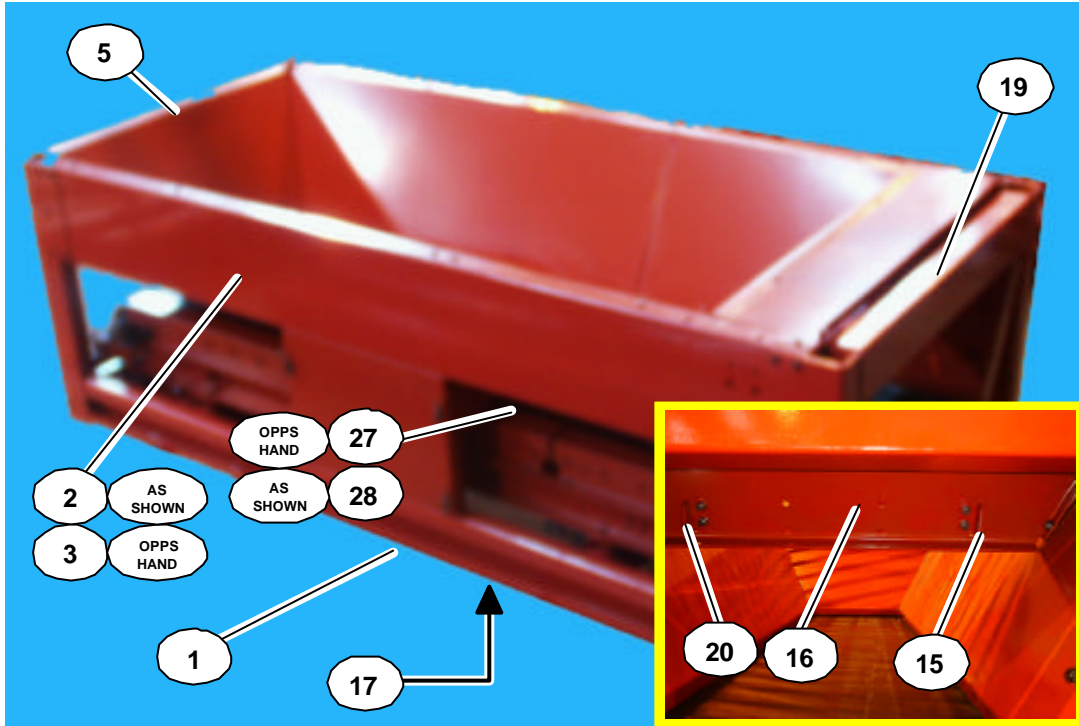


TYRE AND WHEEL NUTS

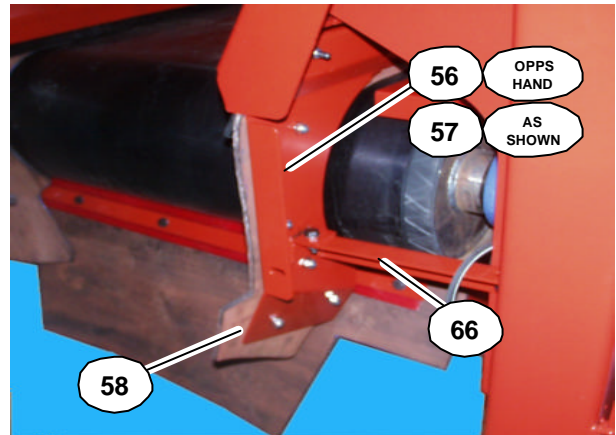
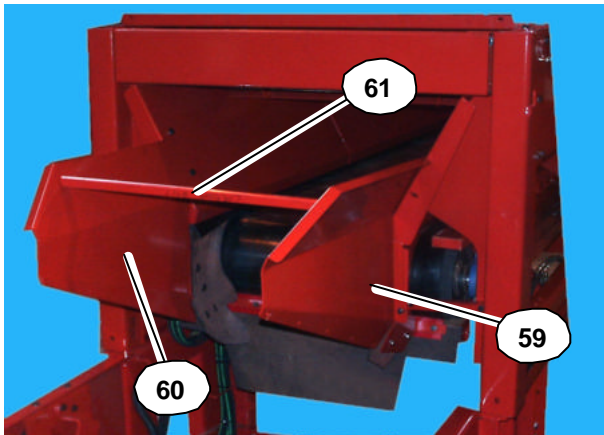
CHASSIS AND TANDEM BOGIE

ITEM NO.	PART No.	PART DESCRIPTION	QTY
1	A017 00 00	INNER JACKING LEG	2
2	A018 00 00	JACKING LEG CAP	2
3	A096 00 00	CONVEYOR SUPPORT CROSSBEAM	1
4	A097 00 00	LH CONVEYOR SUPPORT BRACKET	1
5	A098 00 00	RH CONVEYOR SUPPORT BRACKET	1
6	A116 00 00	LH MUDFLAP SUPPORT BRACKET (USA OPTION)	1
7	A117 00 00	RH MUDFLAP SUPPORT BRACKET (USA OPTION)	1
8			
9	A330 00 00	CHASSIS FABRICATION	1
10	A331 00 00	OUTER JACKING LEG	2
11	A332 00 00	FRONT SIDE CLADDING PANEL	2
12	A335 00 00	FRONT GUARD	1
13	A336 00 00	SIDE MEMBER COVER PLATE	1
14	A337 00 00	SIDE MEMBER COVER PLATE	1
15	HR005A	JACKING RAM	2
16	CH038	MUDFLAPS (USA OPTION)	2
17	CH018E	TYRES	2
18	CH020	AXLE	1
19	CH020H	WHEEL STUDS	20
20	CH020I	WHEEL NUT	20
21	CH020B	WASHERS	20
22	CH050B	AIR BRAKE CYLINDER	1
23	CH020F	AIR BRAKE CHAMBER	2
24			
25	CH022C	AIR LINE CONNECTION YELLOW	1
26	CH022A	AIR LINE CONNECTION RED	1
27			
28			
29			
30			
31			
32			
33			
34			
35			
36			
37			
38			
39			
40			
41			
42			
43			
44			
45			
46			
47			
48			
49			
50			
51			
52			
53			
54			
55			

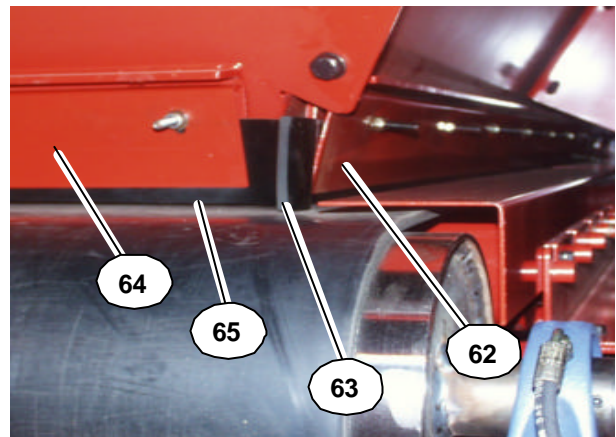
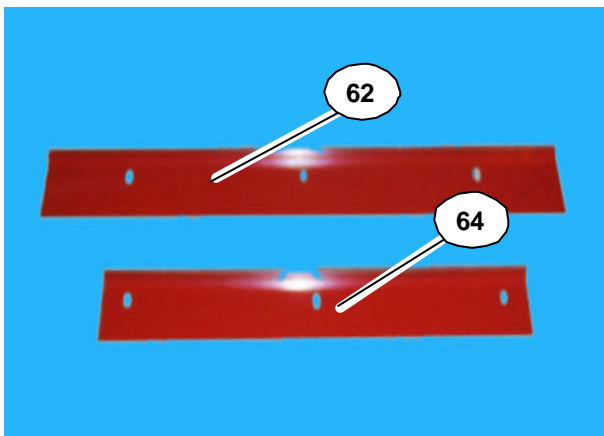
HOPPER AND CONVEYOR ASSEMBLY



VIEW ON SIDE OF HOPPER

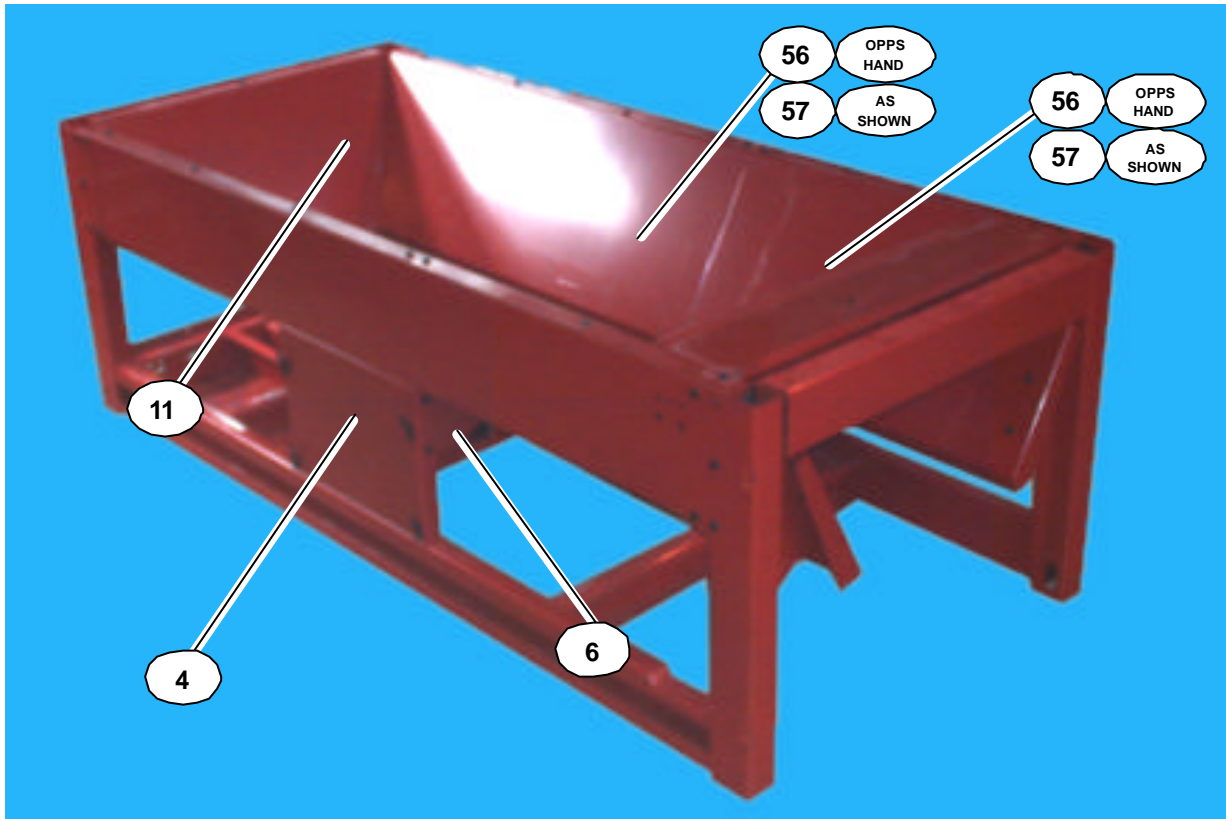


VIEWS ON FRONT OF HOPPER

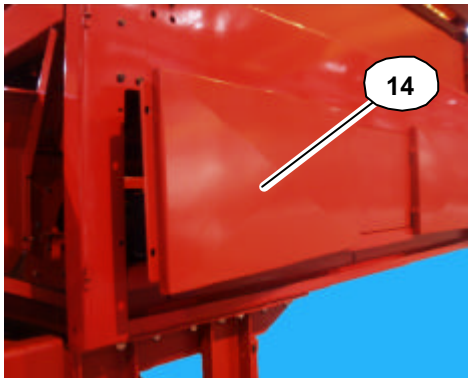


HOPPER BELT SEALING COMPONENTS

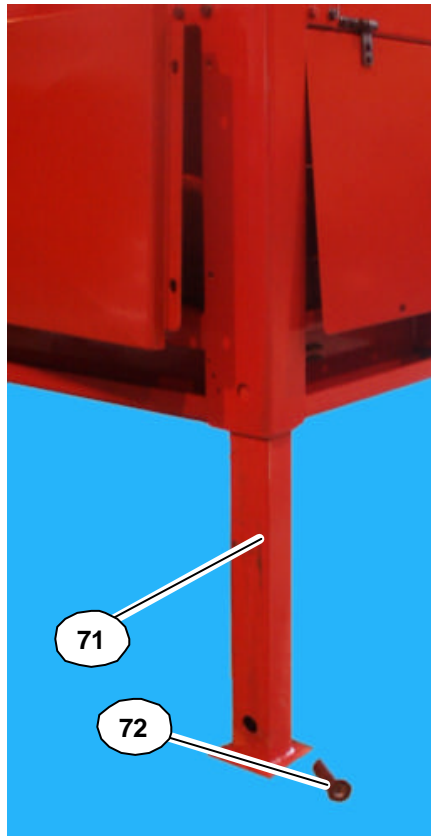
HOPPER AND CONVEYOR ASSEMBLY



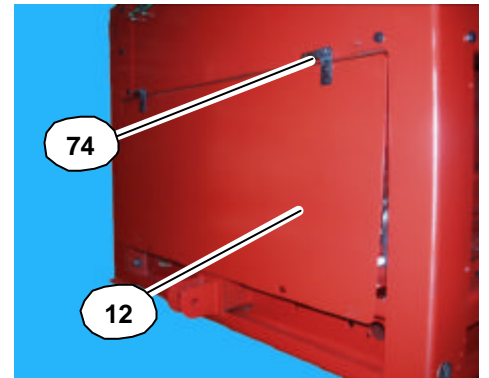
HOPPER CHUTE



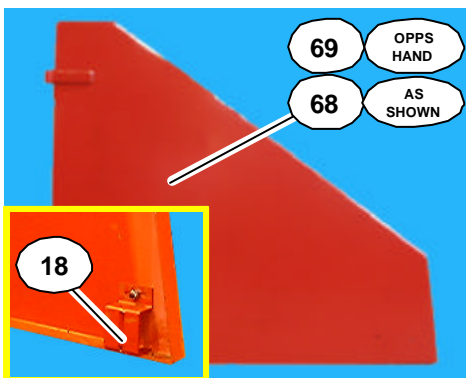
HOPPER SIDE DOORS



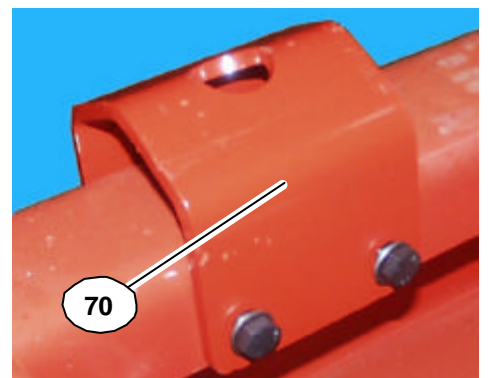
HOPPER LANDING LEG



HOPPER REAR DOOR

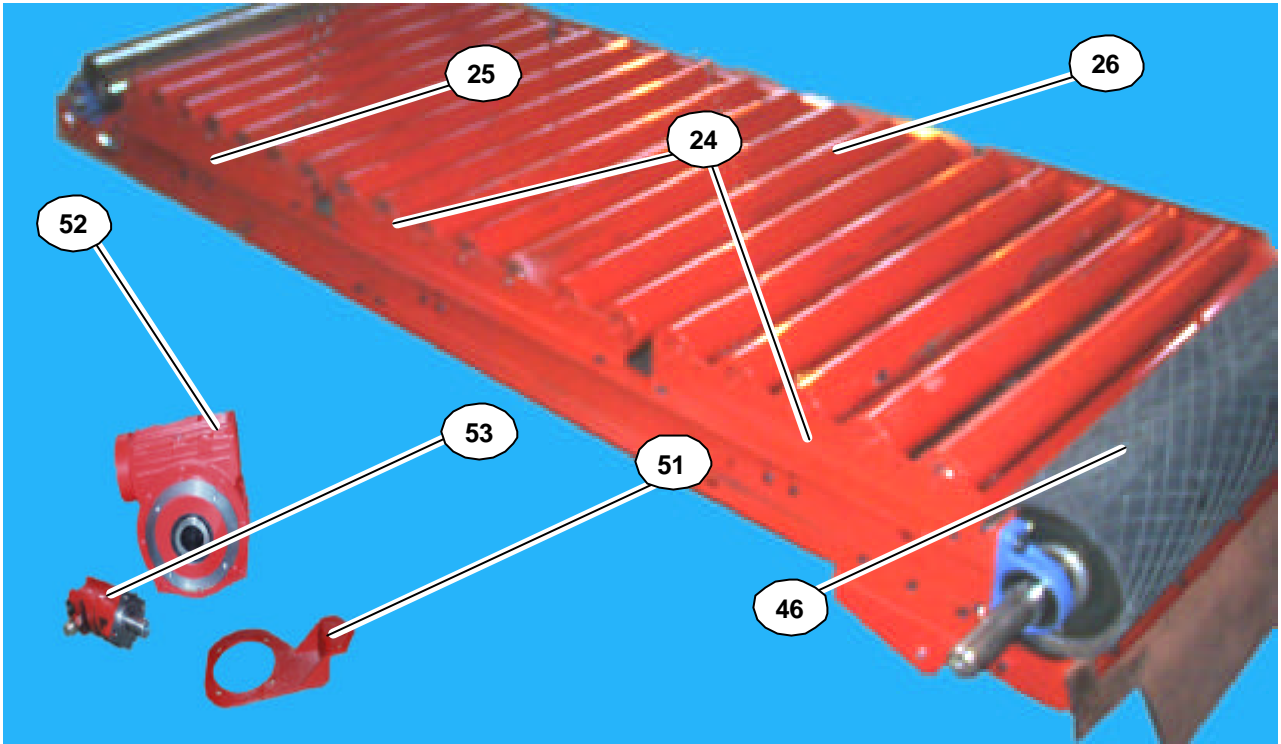


HOPPER RETURN DOORS

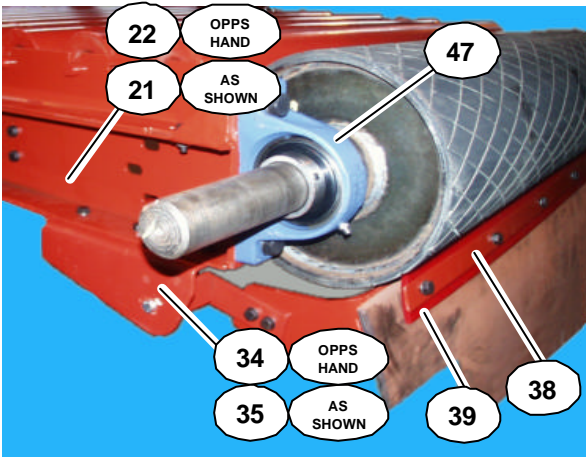


CONVEYOR MTG. STOOL

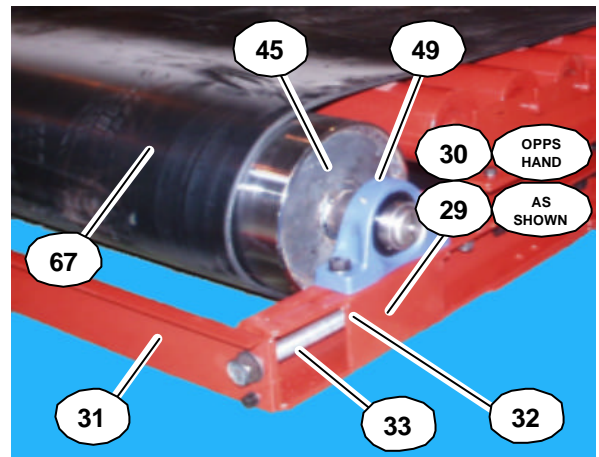
HOPPER AND CONVEYOR ASSEMBLY



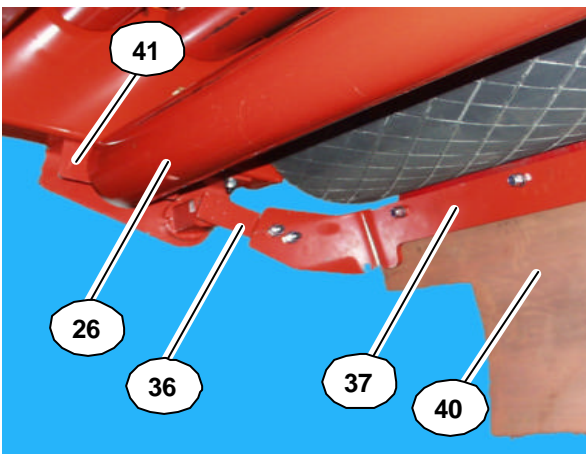
CONVEYOR ROLLERS AND DRIVE



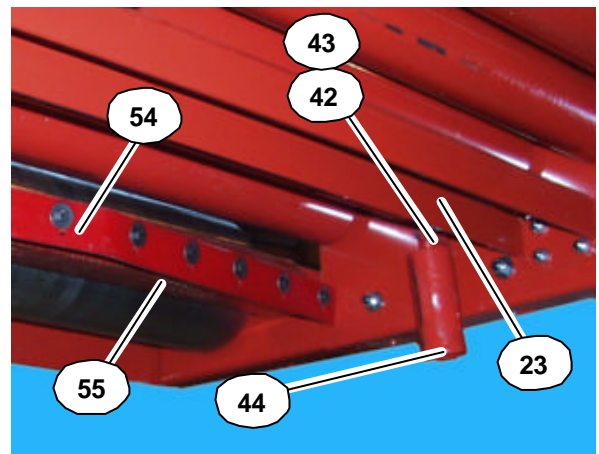
DRIVE END



RETURN END



RETURN ROLLER AND SCRAPER



PLOUGH BLADE AND TRACKING ROLLER

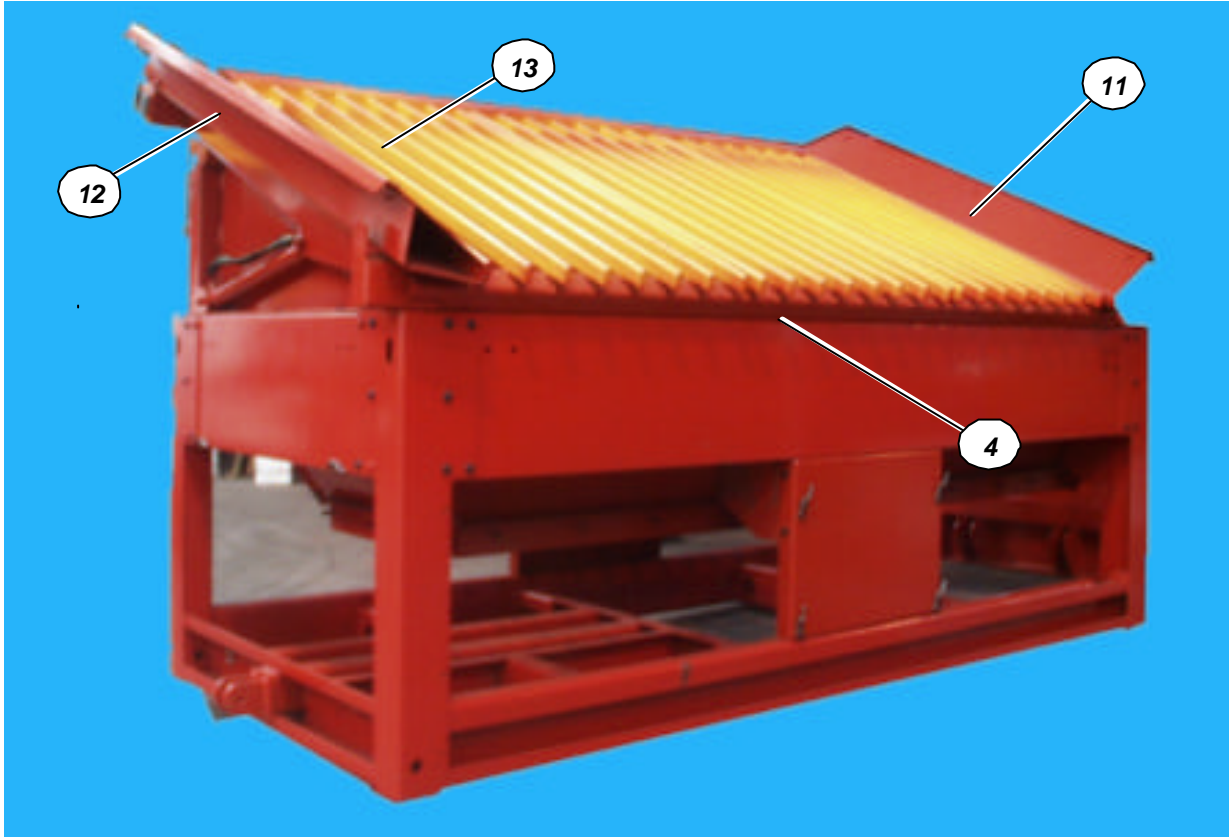
HOPPER AND CONVEYOR ASSEMBLY

ITEM NO.	PART No.	PART DESCRIPTION	QTY
1	C290 00 00	HOPPER FRAME	1
2	C291 00 00	HOPPER FRAME SIDE PANEL LH	1
3	C292 00 00	HOPPER FRAME SIDE PANEL RH	1
4	C293 00 00	HOPPER FRAME CENTRE PANEL	2
5	C294 00 00	HOPPER FRAME END PANEL	1
6	C295 00 00	HOPPER B/N GUSSET	2
7	C297 00 00	HOPPER BIN FRONT SIDE PANEL RH	1
8	C296 00 00	HOPPER BIN FRONT SIDE PANEL LH	1
9	C299 00 00	HOPPER BIN SIDE RH	1
10	C298 00 00	HOPPER BIN SIDE LH	1
11	C300 00 00	HOPPER B/N REAR PANEL	1
12	C301 00 00	HOPPER REAR DOOR	1
13	C302 00 00	HOPPER TOP COVER PLATE	1
14	C313 00 00	HOPPER SIDE DOOR	4
15	C378 00 00	CAT FLAP SUPPORT LUG	1
16	C308 00 00	HOPPER DEFLECTOR PLATE	1
17	C309 00 00	HOPPER KING PIN UNDER GUARD	2
18	C399 00 00	RETURN DOOR BRACKET	2
19	C312 00 00	HOPPER FRONT CROSS BEAM	1
20	C379 00 00	CAT FLAP SUPPORT LUG	1
21	C276 00 00	CONVEYOR LH SIDE FRAME	1
22	C277 00 00	CONVEYOR RH SIDE FRAME	1
23	C411 00 00	CONVEYOR CROSS BEAM	4
24	C195 00 00	CONVEYOR BED ROLLER SUPPORT	2
25	C194 00 00	CONVEYOR FRONT BED ROLLER SUPPORT	1
26	CR002	5" BED ROLLER	21
27	C018 00 00	LH FRONT BED ROLLER GUARD	1
28	C019 00 00	RH FRONT BED ROLLER GUARD	1
29	C409 00 00	CONVEYOR SLIDER	1
30	C410 00 00	CONVEYOR SLIDER	1
31	C017 00 00	CONVEYOR REAR CROSS MEMBER	1
32	C092 00 00	BEARING ADJUSTER	2
33	FA288	BEARING ADJUSTER BOLT	2
34	C279 00 00	ROSTA SCRAPER BRACKET LH	1
35	C280 00 00	ROSTA SCRAPER BRACKET RH	1
36	RU650	ROSTA UNIT	2
37	C348 00 00	ROSTA SCRAPER CROSS BEAM	1
38	C287 00 00	ROSTA SCRAPER CLAMP	1
39	RU5H210000	BELT SCRAPER BLADE	1
40	RU5H220000	SCRAPER RUBBER SKIRT	1
41	C029 00 00	RETURN ROLLER MOUNTING BRACKET	2
42	C014 00 00	LH TRACKING ROLLER BRACKET	1
43	C015 00 00	RH TRACKING ROLLER BRACKET	1
44	CR40771	3" TRACKING ROLLER	2
45	C009 00 00	CONVEYOR TAIL DRUM	1
46	C008 00 00	CONVEYOR DRUM DRUM	1
47	BT007	DRIVE DRUM PLUMMER BLOCK BEARING	2
48			
49	BT006	TAIL DRUM PLUMMER BLOCK BEARING	2
50			
51	C444 00 00	GEARBOX MOUNTING PLATE	1
52	BT160	WORM DRIVE GEARBOX	1
53	HM41159	HYDRAULIC MOTOR	1
54	C016 00 00	TAIL DRUM PLOUGH SCRAPER	1
55	RU5H071206	PLOUGH SCRAPER BLADE	1

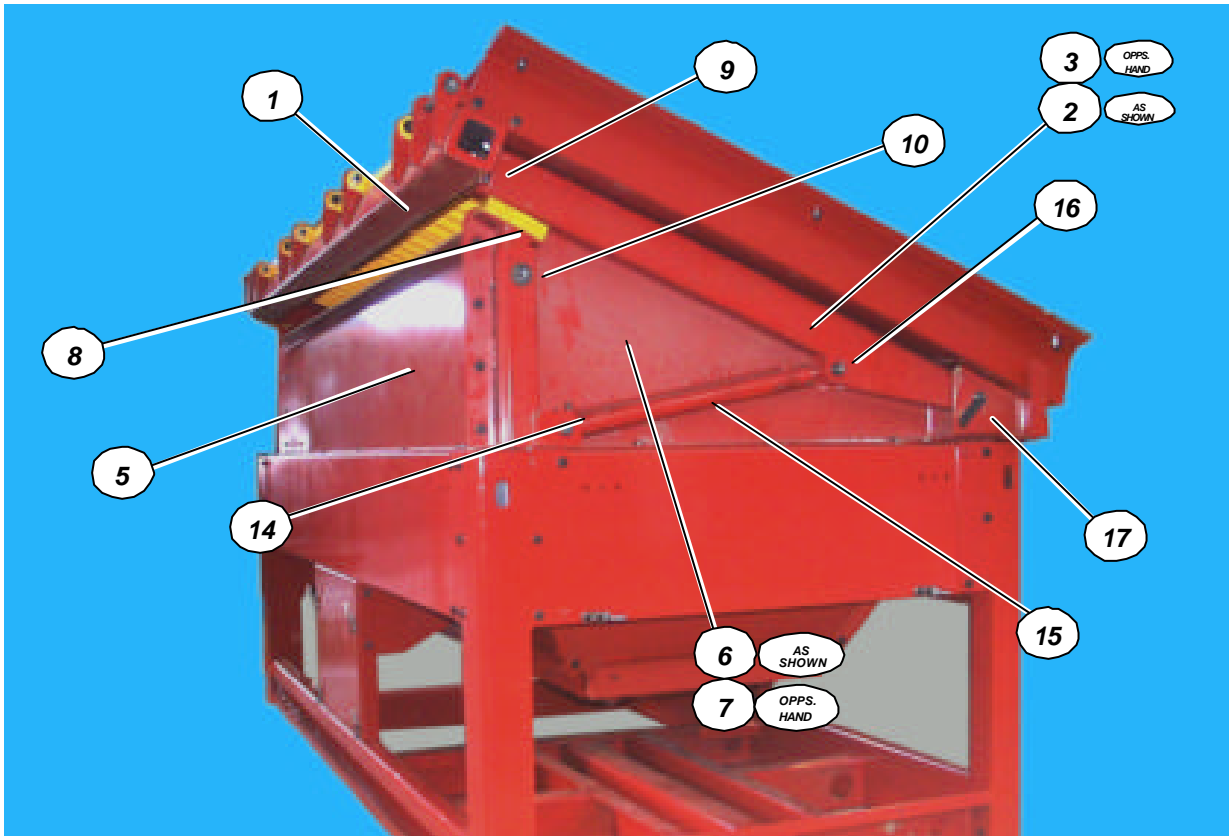
HOPPER AND CONVEYOR ASSEMBLY

ITEM NO.	PART No.	PART DESCRIPTION	QTY
56	C314 00 00	HOPPER DRUM SEAL PLATE LH	1
57	C315 00 00	HOPPER DRUM SEAL PLATE RH	1
58	RU5H230000	HEAD DRUM SEAL RUBBER	2
59	C311 00 00	HOPPER DISCHARGE PLATE RH	1
60	C310 00 00	HOPPER DISCHARGE PLATE LH	1
61	C058 00 00	HOPPER DISCHARGE SUPPORT CROSSMEMBER	1
62	C304 00 00	HOPPER SIDE RUBBER CLAMP	6
63	RU41173	SIDE SEAL RUBBER ROLL	2
64	C305 00 00	HOPPER SIDE RUBBER CLAMP	1
65	RU41174	REAR RUBBER	1
66	C346 00 00	DRUM SEAL PLATE SUPPORT BAR	2
67	CBHD020	HOPPER BELT	1
68	C048 00 00	HOPPER RH RETURN DOOR	1
69	C049 00 00	HOPPER LH RETURN DOOR	1
70	C303 00 00	HOPPER CONVEYOR MOUNTING STOOL	6
71	C052 00 00	HOPPER TELESCOPIC LANDING LEG	2
72	C 053 00 00	HOPPER TELESCOPIC LANDING PIN	2
73	C493 00 00	RETURN DOOR TOP GUARD (NOT SHOWN)	1
74	FA301A	DOOR HINGE	10
75			
76			
77			
78			
79			
80			
81			
82			
83			
84			
85			
86			
87			
88			
89			
90			
91			
92			
93			
94			
95			
96			
97			
98			
99			
100			
101			
102			
103			
104			
105			
106			
107			
108			
109			
110			

HOPPER GRID ASSEMBLY



VIEW OF HOPPER GRID

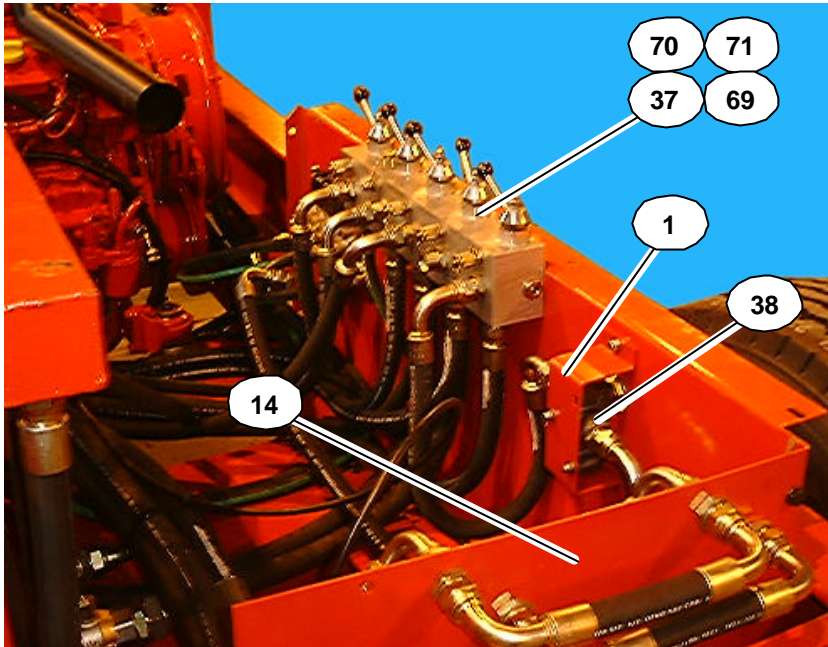


VIEW ON SIDE OF HOPPER GRID

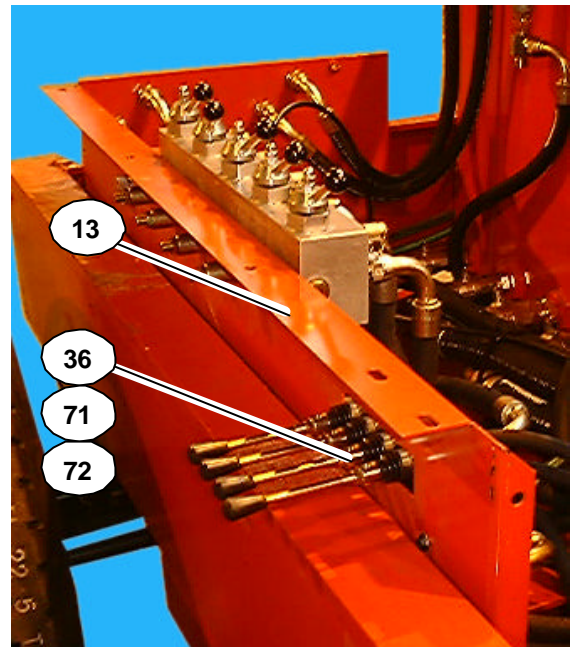
HOPPER GRID ASSEMBLY

ITEM NO.	PART No.	PART DESCRIPTION	QTY
1	C334 00 00	TIPPING GRID 'GRID BAR BEAM'	1
2	C333 00 00	TIPPING GRID SWING ARM RH	1
3	C332 00 00	TIPPING GRID SWING ARM LH	1
4	C336 00 00	TIPPING GRID 'GRID BAR SUPPORT BRACKET	1
5	C335 00 00	REAR PANEL	1
6	C330 00 00	TIPPING GRID SIDE PLATE LH	1
7	C331 00 00	TIPPING GRID SIDE PLATE RH	1
8	C085 00 00	TELESCOPIC LEG	2
9	C083 00 00	HOPPER REJECT GRID WING LOCATION PIN	2
10	C086 00 00	HOPPER REJECT GRID TELESCOPIC LEG PIN	2
11	C392 00 00	TIPPING GRID SIDE FLAIR	1
12	C393 00 00	TIPPING GRID SIDE FLAIR	1
13	C084 00 03	REJECT GRID BAR SECTION	3
14	C087 00 00	RAM BASE PIN	2
15	HR030	GRID RAM	2
16	C088 00 00	RAM TO TIPPING FRAME PIN	2
17	C080 00 00	FRAME ROTATION PIN	2
18			
19			
20			
21			
22		NOTE :- ITEM 11 COMPRISES OF THE FOLLOWING	
23			
24	C392 01 00	SIDE FLAIR BOTTOM PANEL	1
25	C392 02 00	SIDE FLAIR TOP PANEL	1
26	C392 03 00	SIDE FLAIR HINGE PLATE	2
27			
28		NOTE :- ITEM 12 COMPRISES OF THE FOLLOWING	
29			
30	C393 01 00	SIDE FLAIR BOTTOM PANEL	1
31	C393 02 00	SIDE FLAIR TOP PANEL	1
32	C393 03 00	SIDE FLAIR HINGE PLATE	2
33			
34			
35			
36			
37			
38			
39			
40			
41			
42			
43			
44			
45			
46			
47			
48			
49			
50			
51			
52			
53			
54			
55			

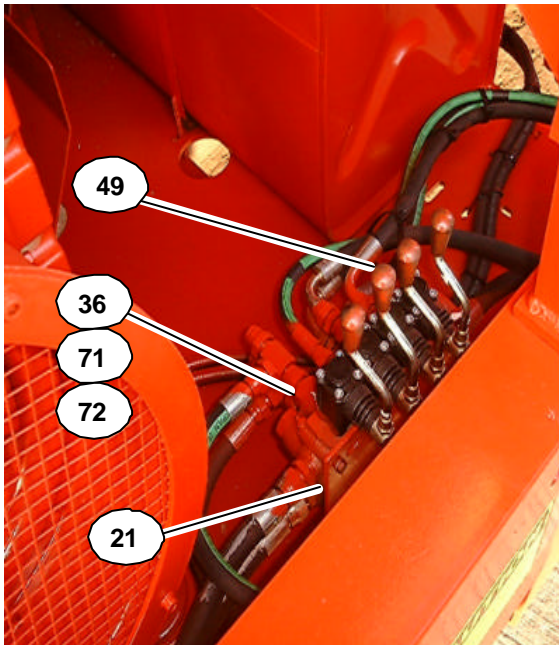
POWERPACK ASSEMBLY



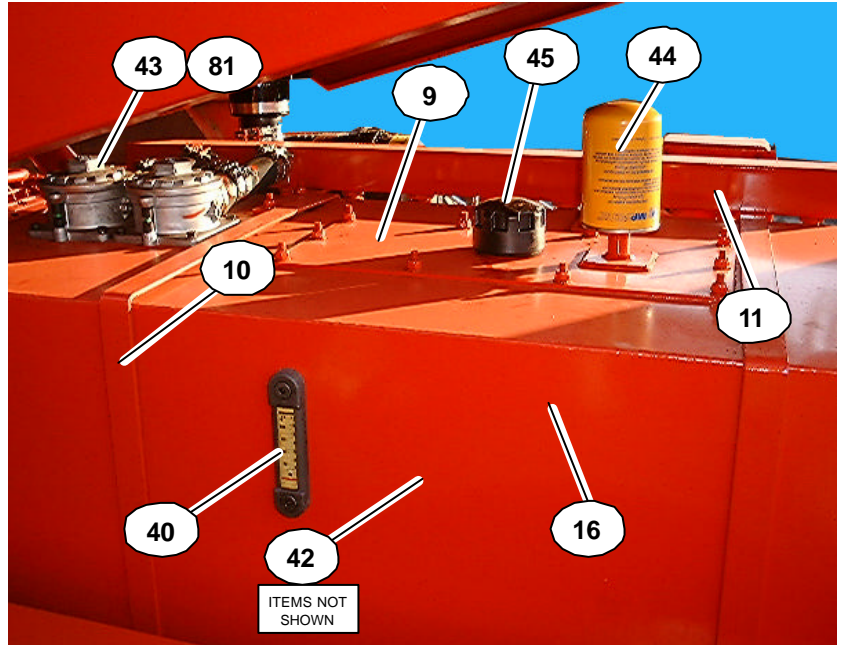
VIEW ON FLOW & CONTROL VALVES



4 LEVER CONTROL VALVE

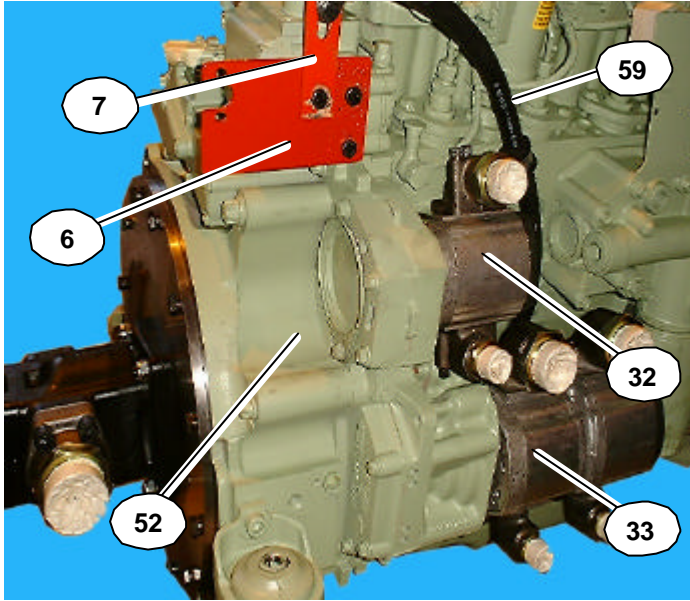


CRANKED 4 LEVER CONTROL VALVE

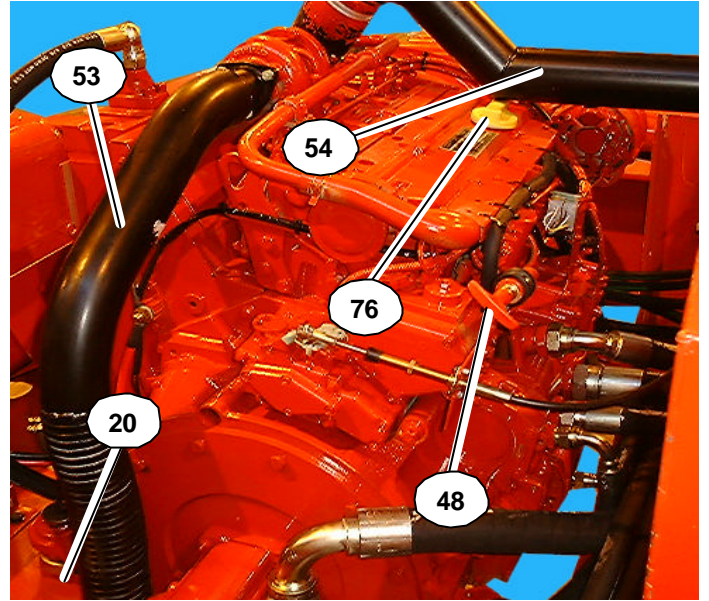


VIEW ON OIL TANK

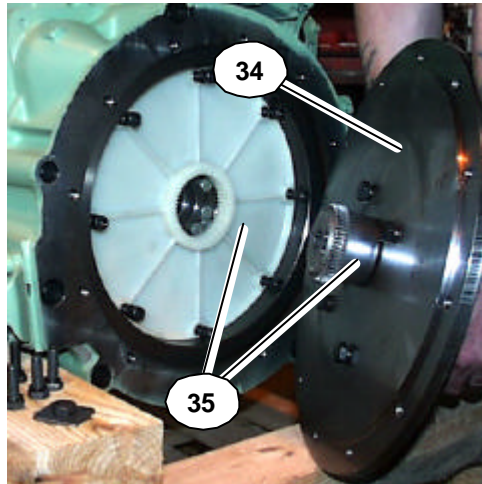
POWERPACK ASSEMBLY



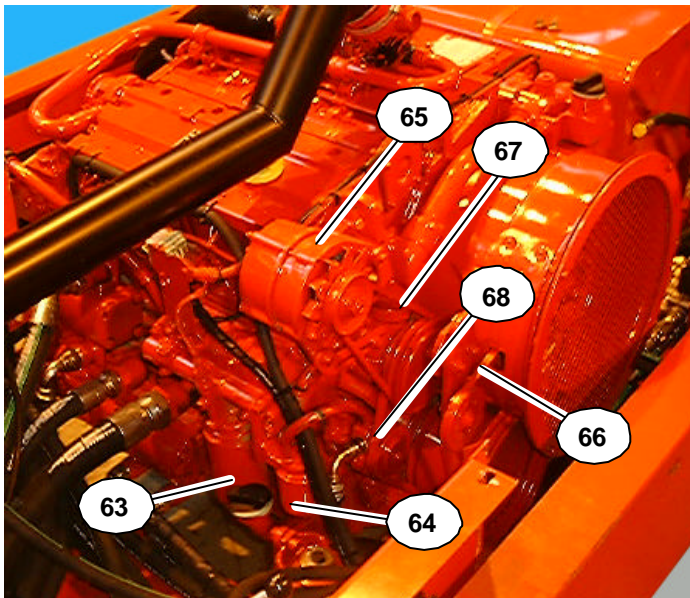
DEUTZ ENGINE AND PUMPS



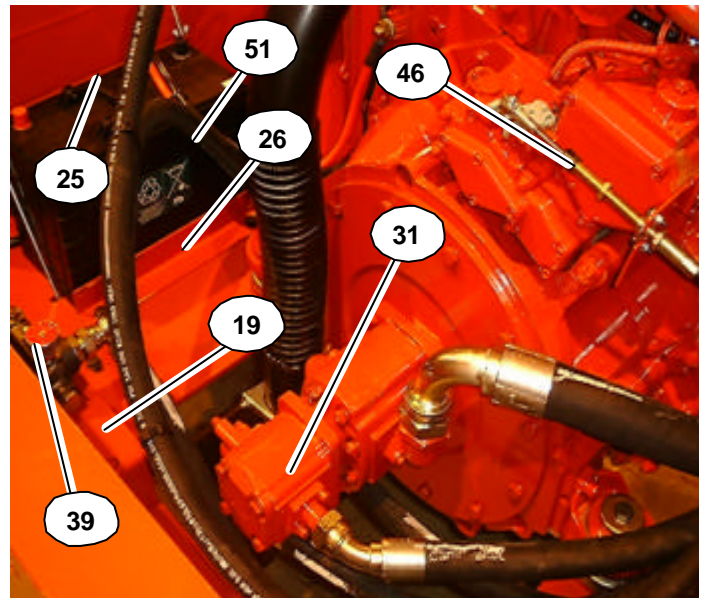
INTAKE & EXHAUST PIPES



PUMP ADAPTOR PLATE & COUPLING

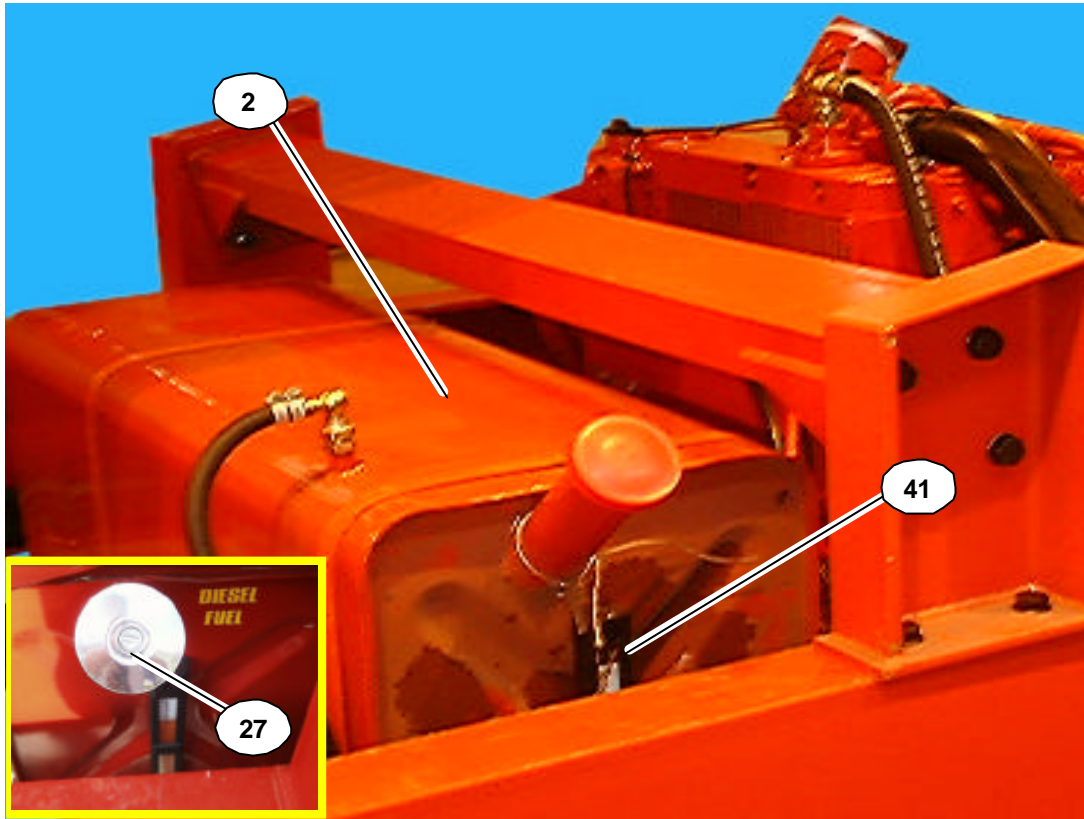


DEUTZ ENGINE

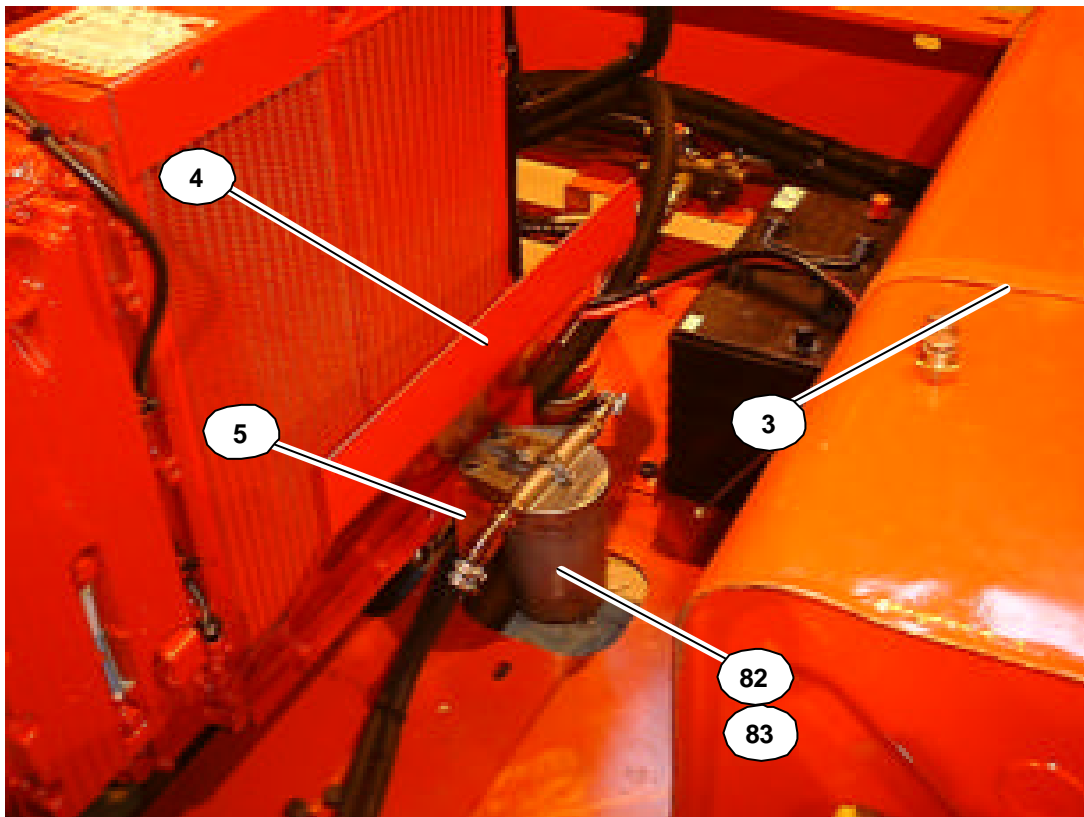


PUMP, FLOW CONTROL AND BATTERY

POWEPACK ASSEMBLY

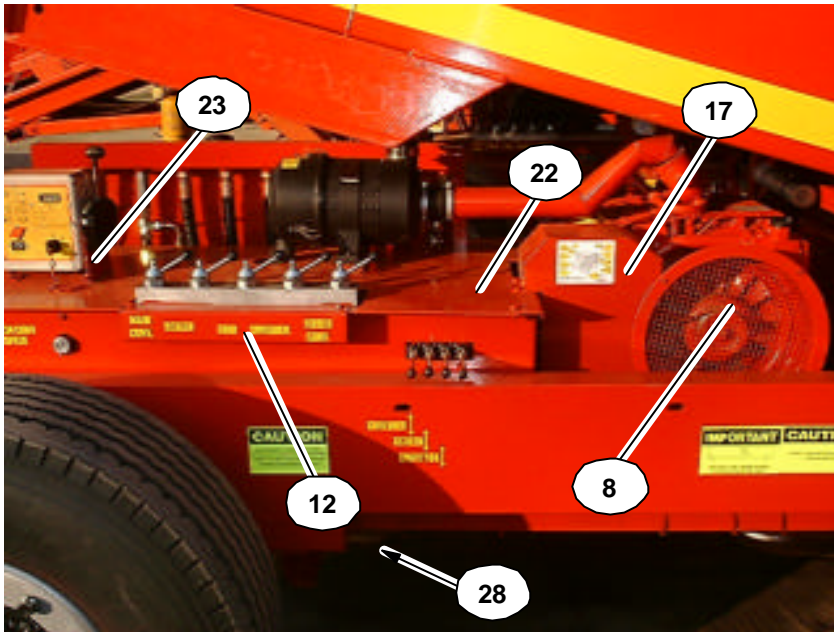


DIESEL TANK

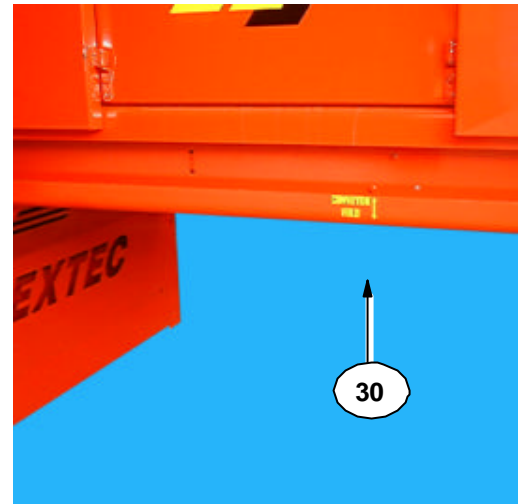


FUEL FILTER

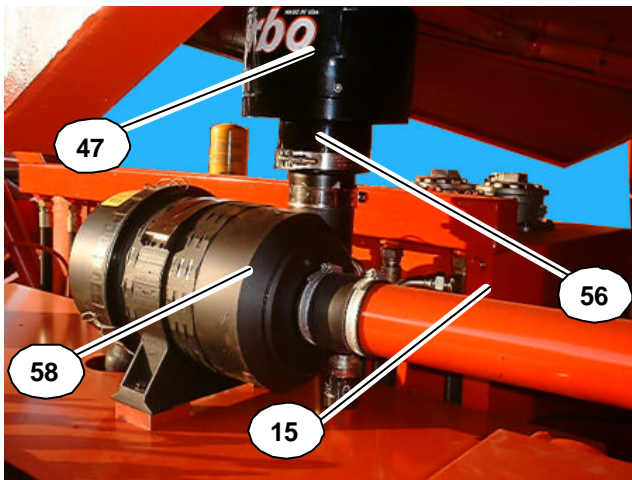
POWERPACK ASSEMBLY



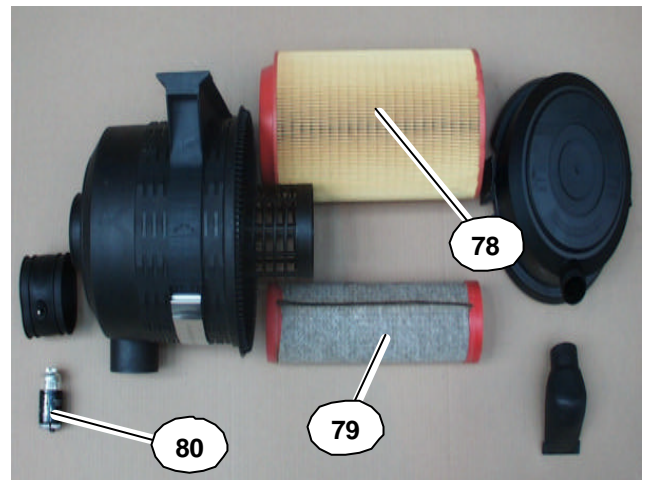
SIDE VIEW ON POWERPACK



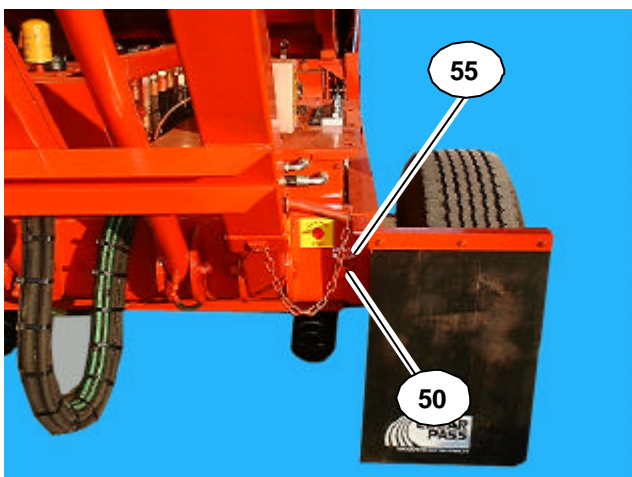
GRID FOLDING VALVE



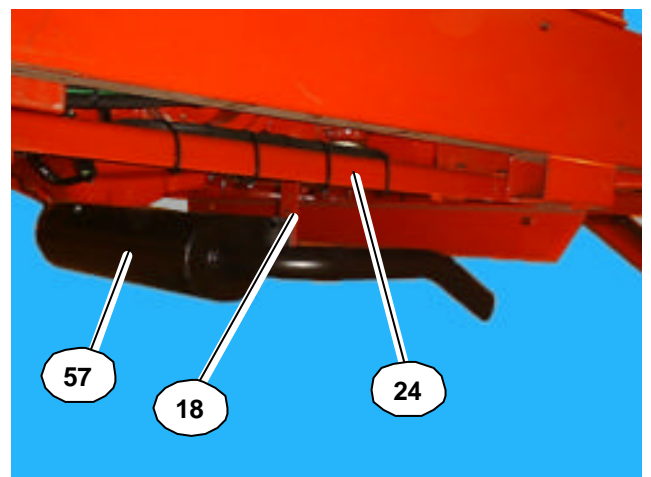
PRECLEANER & AIR FILTER



AIR FILTER ELEMENTS



EMERGENCY STOP



EXHAUST & UNDERFRAME

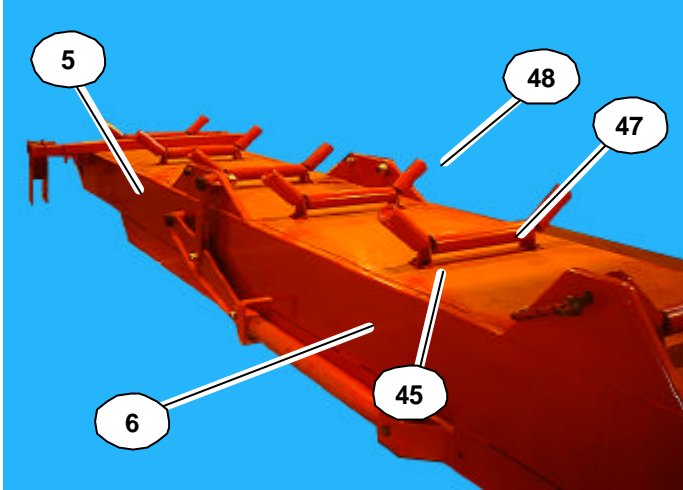
POWERPACK ASSEMBLY

ITEM NO.	PART No.	PART DESCRIPTION	QTY
1	B007 00 00	WEBTEC MOUNTING BRACKET	1
2	B011 00 00	DIESEL TANK	1
3	B012 00 00	DIESEL TANK STRAP	2
4	B020 00 00	AIR DEFLECTOR PANEL	1
5	B021 00 00	FUEL FILTER MOUNTING BRACKET	1
6	B027 00 00	THROTTLE CABLE SUPPORT BRACKET	1
7	B028 00 00	DIPSTICK SUPPORT BRACKET	1
8	B034 00 00	NON CHARGE INLET GUARD	1
9	B037 00 00	HYDRAULIC TANK LID	1
10	B039 00 00	HYDRAULIC TANK STRAPS	2
11	B040 00 00	RETURN MANIFOLD	1
12	B041 00 00	STICKER MOUNTING PLATE	1
13	B042 00 00	CONTROL PANEL	1
14	B044 00 00	CONTROL PANEL LHS	1
15	B049 00 00	HYDRAULIC LID SUPPORT BRACKET	2
16	B202 00 00	HYDRAULIC TANK	1
17	B203 00 00	ALTERNATOR GUARD	1
18	B204 00 00	EXHAUST MOUNTING BRACKET	2
19	B207 00 00	UNIVERSAL MOUNTING BRACKET	1
20	B209 00 00	ENGINE MOUNTING BLOCK	4
21	B210 00 00	CONTROL VALVE BRACKET	1
22	B211 00 00	TOP PANEL	1
23	B212 00 00	IGNITION BRACKET	1
24	B215 00 00	POWERPACK FRAME	1
25	B216 00 00	BATTERY RETAINING BRACKET	1
26	B217 00 00	BATTERY STAY	1
27	WB60L	DIESEL TANK FILLER CAP	1
28	B231 00 00	FRAME BRACKET	1
29			
30		MAIN CONVEYOR FOLDING VALVE	1
31	HP006	PUMP	1
32	HP202	PTO PUMP	1
33	HP201	TANDEM PUMP	1
34	EN304	REAR MOUNTING PLATE	1
35	EN304A	DRIVE COUPLING	1
36	HV40510	4 LEVER SPOOL VALVE	2
37	HV003	5 LEVER CONTROL BLOCK	1
38	HV008	45L WEBTEC	1
39	HV009	90L WEBTEC	1
40	HG001A	5" SIGHT GAUGE	1
41	HG002	10" SIGHT GAUGE	1
42	HF001A	SUCTION FILTER	5
43	HF40596	MULTIFLOW HYD TANK FILTER	2
44	HF023	BREATHER	1
45	HF022	HYD TANK FILLER CAP	1
46	ENPP220000	THROTTLE CABLE	1
47	EN40247	PRE CLEANER	1
48	EN625	DIPSTICK	1
49	HV40762A	BENT SPOOL VALVE LEVER	4
50	ENPP210105	EMERGENCY STOP KIT	1
51	BB002	BATTERY	1
52	EN700B	1012 ENGINE D SPEC.	1
53	B205 00 00	FLEXIBLE EXHAUST PIPE	1
54	B208 00 00	AIR INTAKE PIPE	1
55	A119 00 00	EMERGENCY STOP GUARD	2

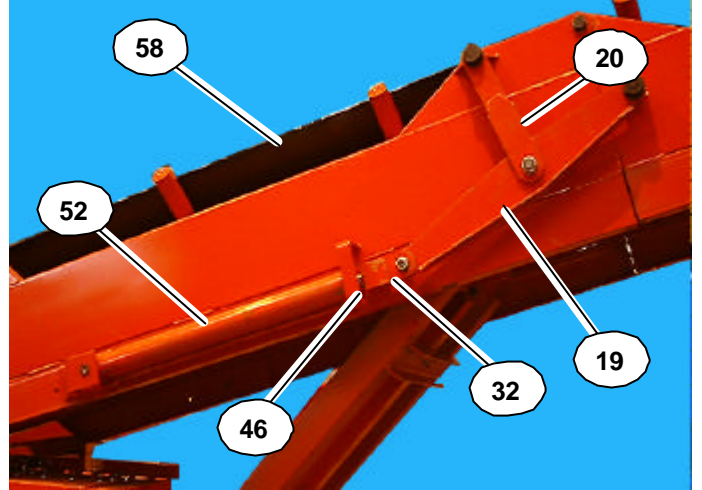
POWERPACK ASSEMBLY

ITEM NO.	PART No.	PART DESCRIPTION	QTY
56	B206 00 00	AIR INLET ADAPTOR	1
57	B096 00 00	EXHAUST SILENCER	1
58	EN747	AIR FILTER	1
59	HA953	DIPSTICK TUBE	1
60			
61			
62	EN736	STARTER MOTOR	1
63	EN704	OIL FILTER	1
64	EN703	FUEL FILTER (ENGINE MOUNTED)	1
65	EN737	ALTERNATOR	1
66	EN713A	BLOWER BELT	1
67	EN712	ALTERNATOR BELT	1
68	EN713	LIFT PUMP DRIVE BELT	1
69	HV003A	STD RELIEF VALVE FOR 5 LEVER VALVE	3
70	HV003D	LARGE RELIEF VALVE FOR 5 LEVER VALVE	1
71	HV003B	CARTRIDGE VALVE	5
72	HV40500B	RELIEF VALVE FOR 4 & 5 LEVER VALVE	2
73	HV40500C	HANDLE ASSY. / PILOT KIT	8
74			
75			
76		ENGINE FILLER CAP	1
77			
78	EN701P	OUTER FILTER ELEMENT	1
79	EN702P	INNER FILTER ELEMENT	1
80	EN321	SERVICE INDICATOR	1
81	HF40594	RETURN LINE FILTER ELEMENT	2
82	EN728	FUEL FILTER	1
83	EN728A	FUEL FILTER ELEMENT	1
84			
85			
86			
87			
88			
89			
90			
91			
92			
93			
94			
95			
96			
97			
98			
99			
100			
101			
102			
103			
104			
105			
106			
107			
108			
109			
110			

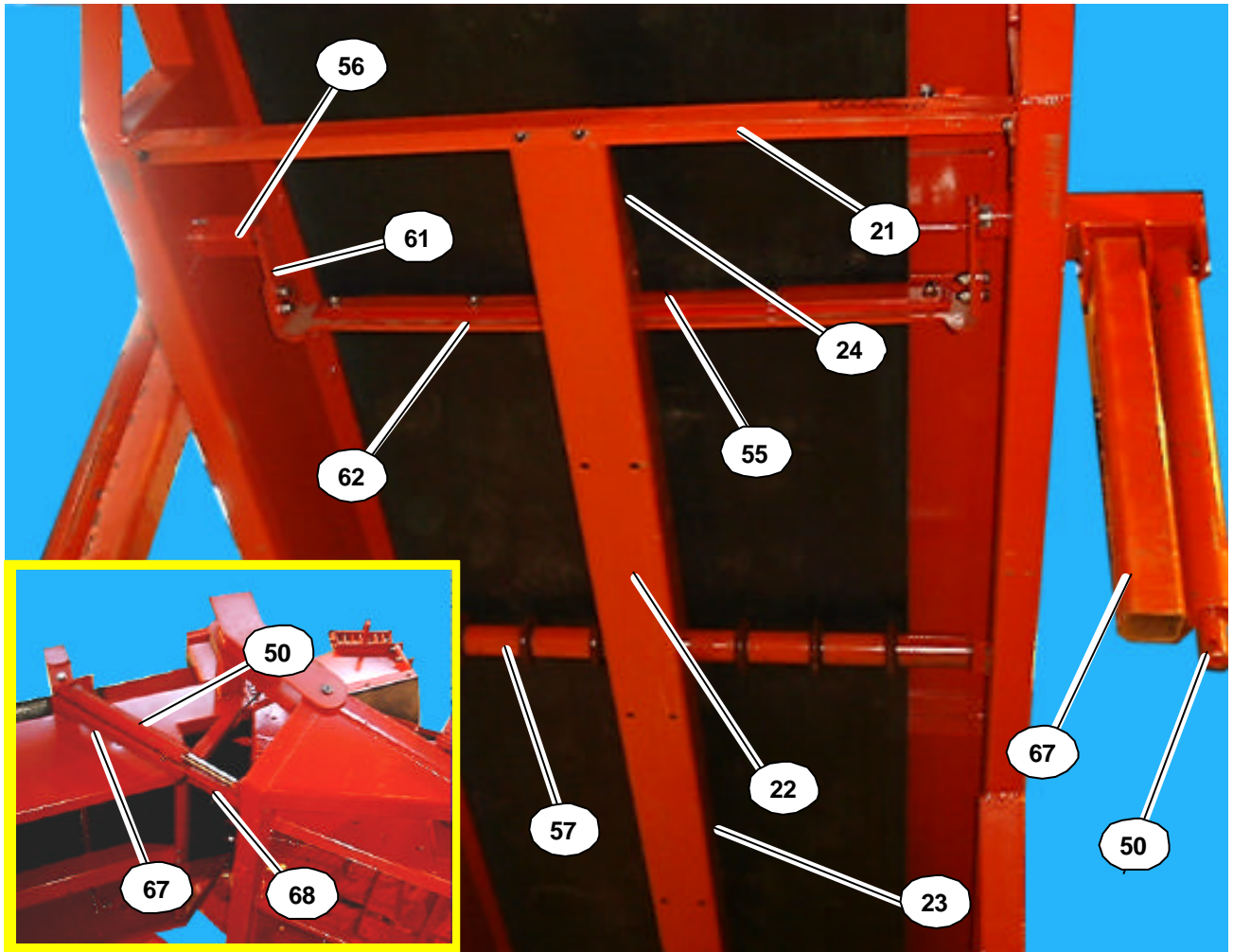
MAIN CONVEYOR ASSEMBLY



TOP ROLLERS

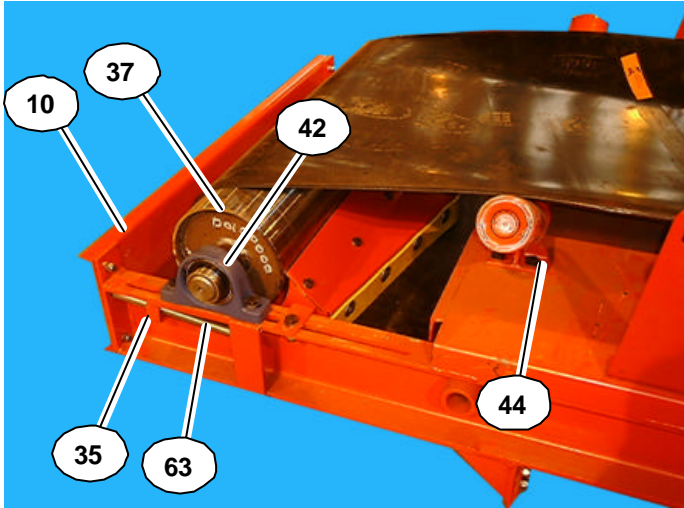


FOLDING JOINT

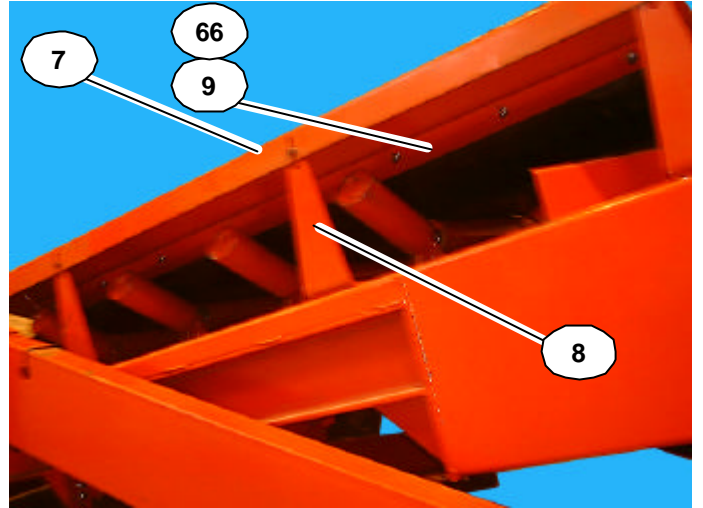


VIEW ON UNDERSIDE OF MAIN CONVEYOR

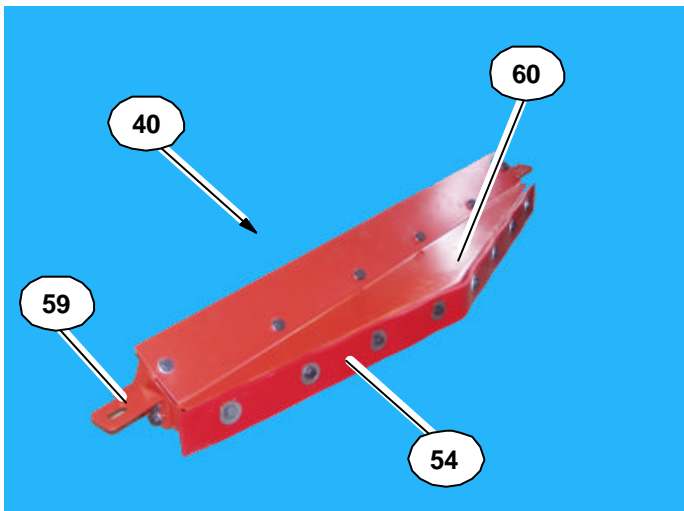
MAIN CONVEYOR ASSEMBLY



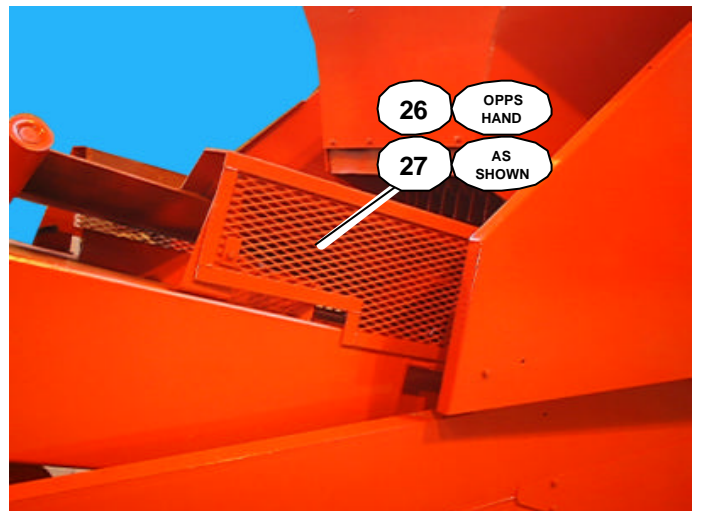
RETURN ROLLER



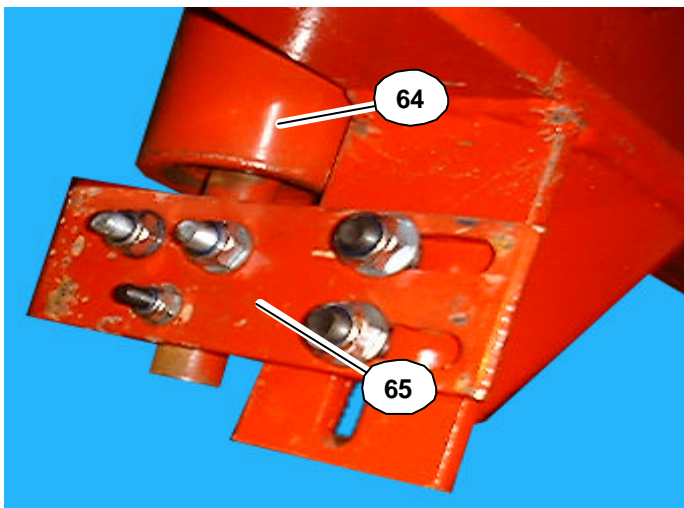
SIDE VIEW ON FEED BOOT



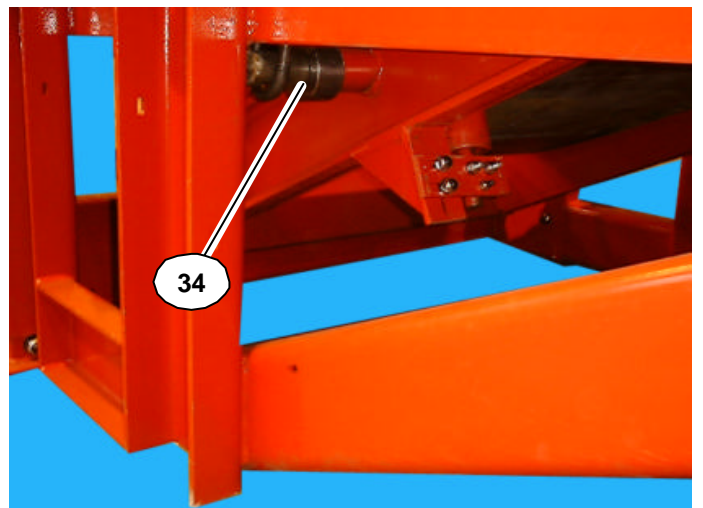
RETURN ROLLER SCRAPER



FEED BOOT SIDE GUARD

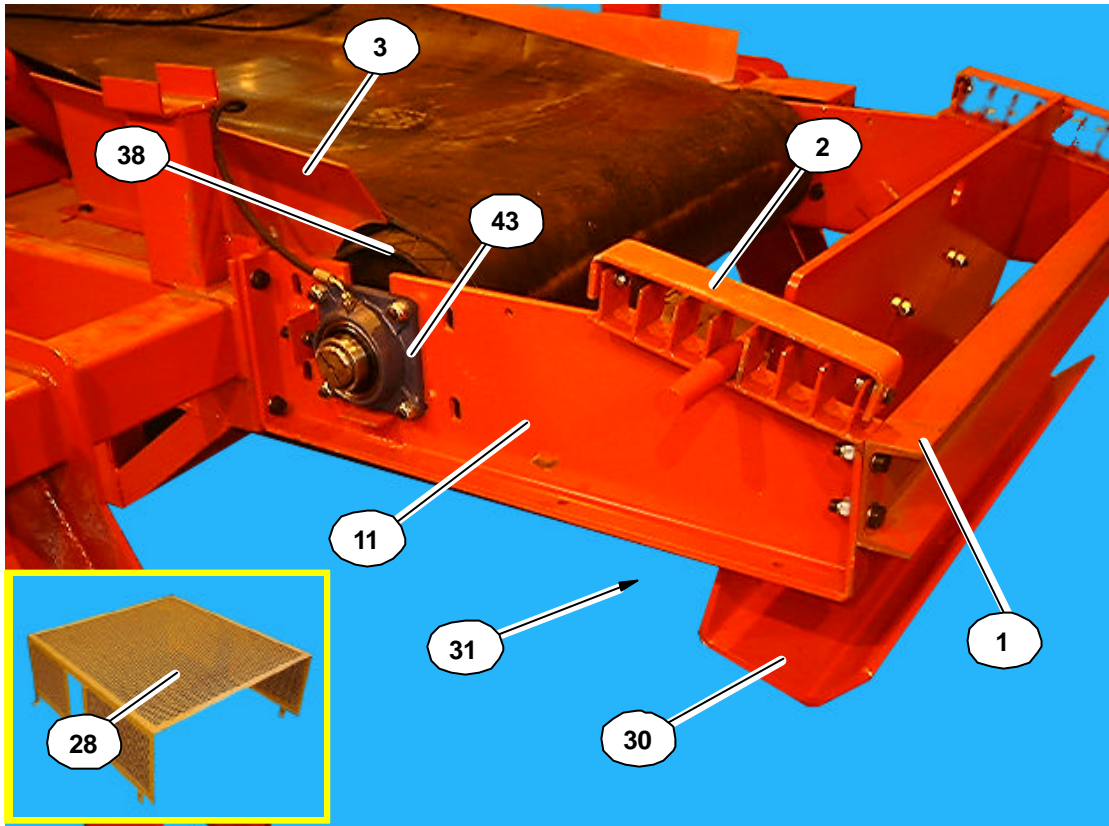


TRACKING ROLLERS

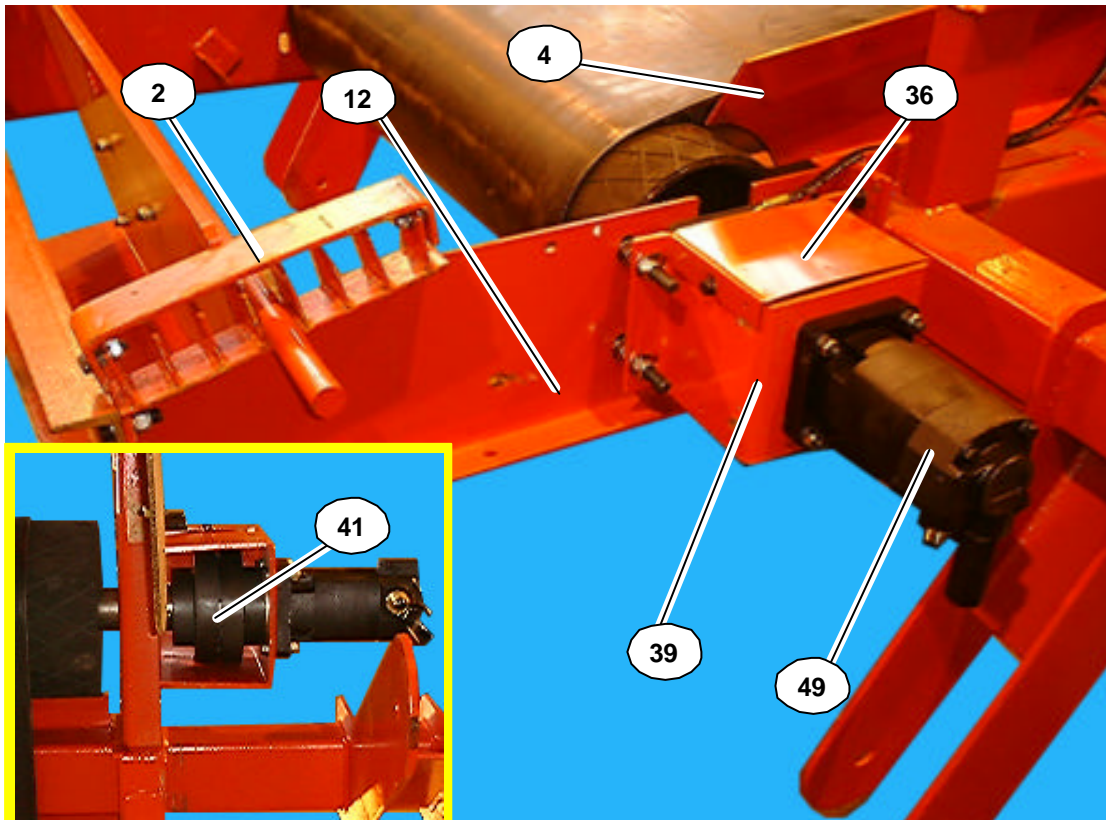


CONVEYOR SUPPORT BAR SPACERS & TRACKING ROLLERS

MAIN CONVEYOR ASSEMBLY

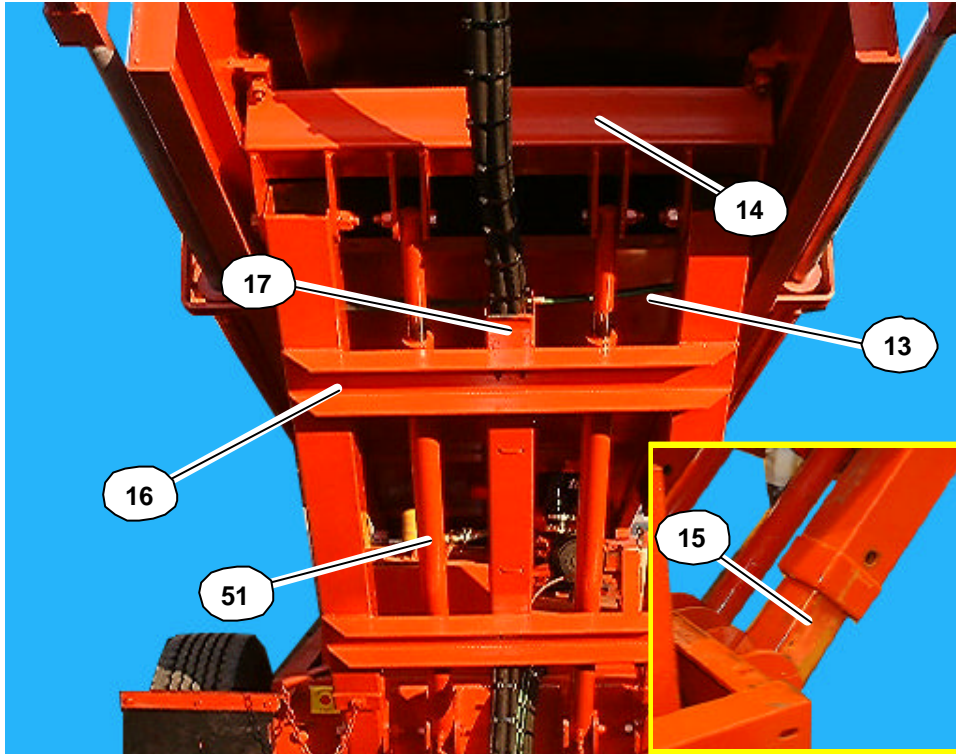


VIEW ON RH SIDE OF DRIVE END

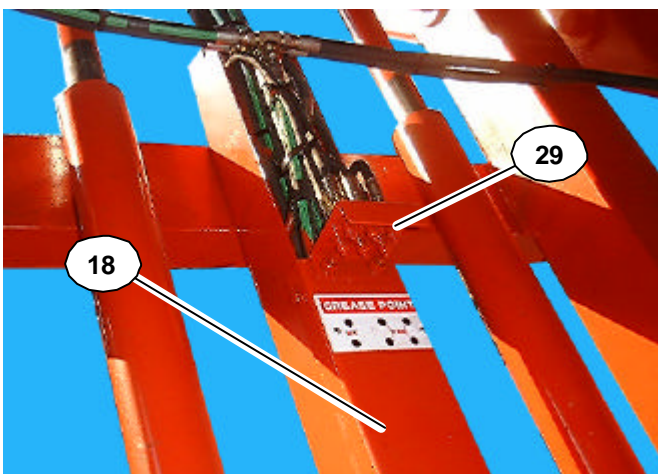


VIEW ON LH SIDE OF DRIVE END

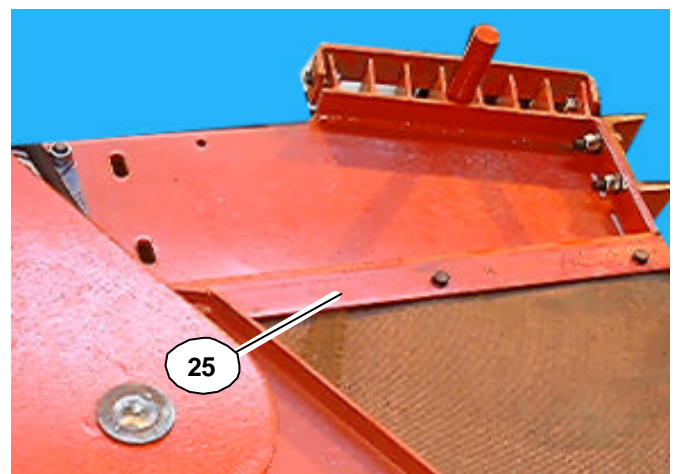
MAIN CONVEYOR ASSEMBLY



VIEW ON 'H' FRAME



LUBRICATION MANIFOLD

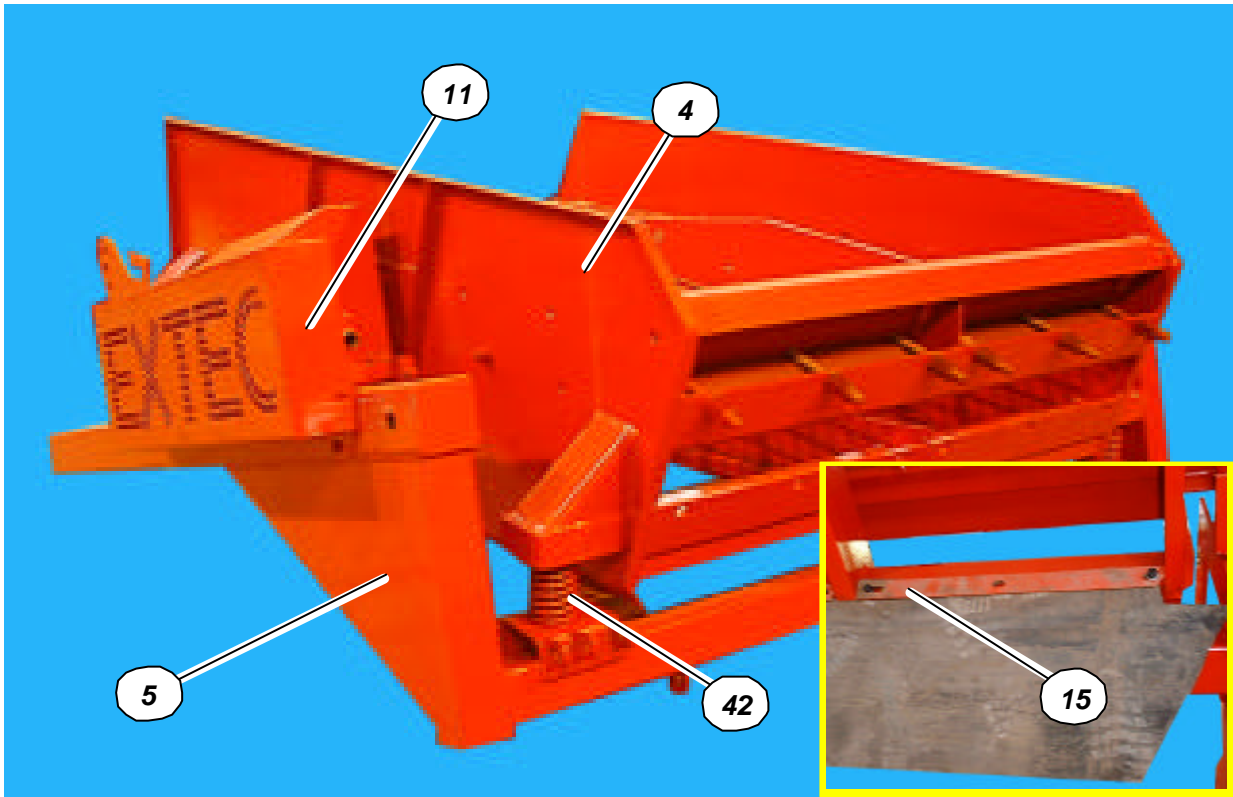


DRIVE END RUBBER CLAMP

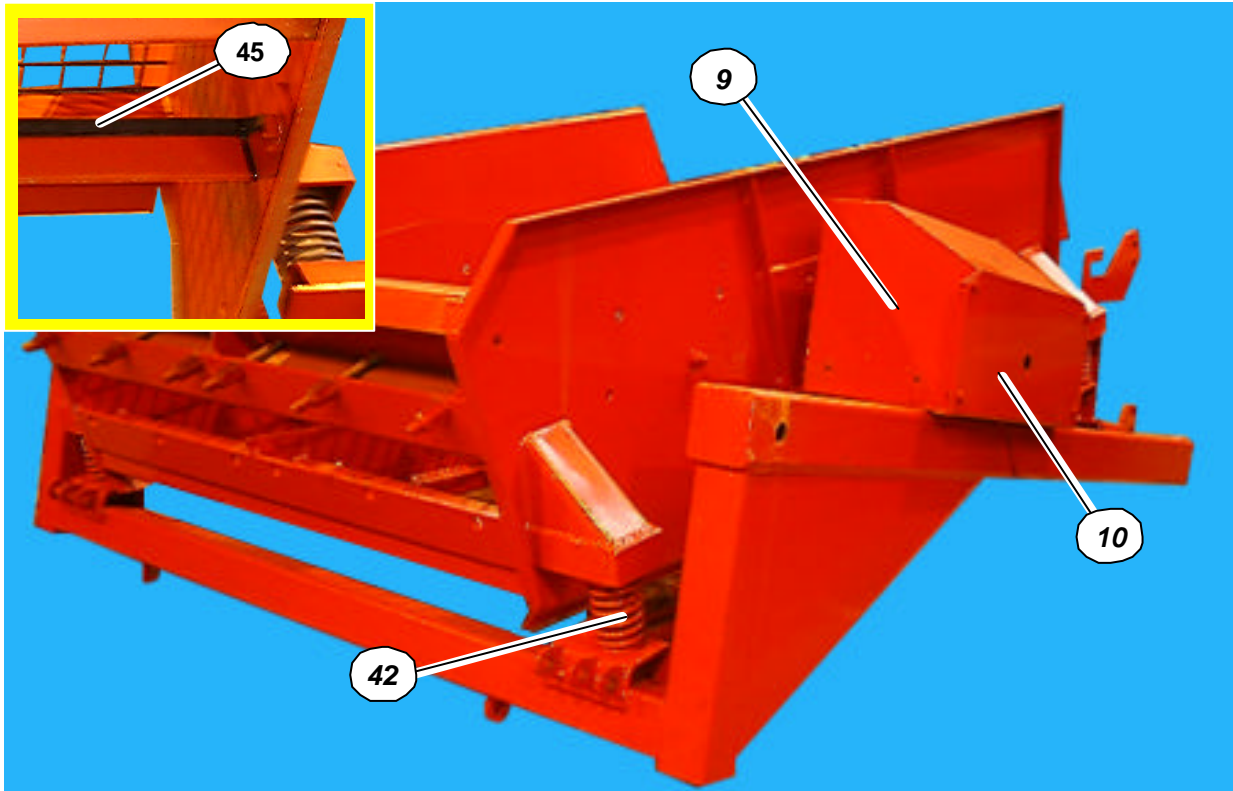
MAIN CONVEYOR ASSEMBLY

ITEM NO.	PART No.	PART DESCRIPTION	QTY
1	D017 00 00	CROSS BRACE	1
2	D022 00 00	SPREADER PLATE LOCATION BAR	2
3	D026 00 00	RH NIP GUARD SIDE PLATE	1
4	D027 00 00	LH NIP GUARD SIDE PLATE	1
5	D090 00 00	TOP FRAME	1
6	D091 00 00	BOTTOM FRAME	1
7	D092 00 00	BOTTOM FEED BOOT ASSEMBLY (SEE NOTE)	1
8	D093 00 00	BOTTOM FEED BOOT LEG	6
9	D095 00 00	BOTTOM FEED BOOT SIDE CLAMP	2
10	D096 00 00	BOTTOM CROSSMEMBER	1
11	D097 00 00	RH HEAD DRUM SIDE PLATE	1
12	D098 00 00	LH HEAD DRUM SIDE PLATE	1
13	D099 00 00	BOTTOM PANEL GUARD	4
14	D101 00 00	TELESCOPIC LEG CROSSMEMBER	1
15	D102 00 00	TELESCOPIC LEG INNER	2
16	D103 00 00	TELESCOPIC LEG OUTER H-FRAME	1
17	D104 00 00	PPE TRAY BASE	1
18	D105 00 00	PIPE TRAY COVER	1
19	D106 00 00	LARGE ROTATION POWER LINK ARM	1
20	D107 00 00	SMALL ROTATION POWER LINK ARM	2
21	D252 00 00	PIPE TRAY CROSSMEMBER	2
22	D253 00 00	PIPE TRAY CHANNEL	1
23	D254 00 00	LONG PIPE TRAY CHANNEL COVER	1
24	D255 00 00	SHORT PIPE TRAY CHANNEL COVER	1
25	D263 00 00	RUB FLAT MOUNTING ANGLE	2
26	D265 00 00	FEED BOOT SIDE GUARD	1
27	D266 00 00	FEED BOOT SIDE GUARD	1
28	D267 00 00	HEAD DRUM GUARD	1
29	D346 00 00	GREASING PLATE	1
30	D391 00 00	SPREADER PLATE	1
31	D392 00 00	SPREADER	1
32	D347 00 00	PISTON ROD END FORK	2
33	D627 00 00	LOCATION / PIVOT BAR SPACERS	2
34	D628 00 00	LOCATION / PIVOT BAR	1
35	D009 00 00	TAIL DRUM BEARING SLIDER	2
36	D019 00 00	MOTOR BRACKET TOP PLATE	1
37	D010 00 00	TAIL DRUM	1
38	D014 00 00	HEAD DRUM	1
39	D018 0 00	MOTOR MOUNTING PLATE	1
40	D395 00 00	TAIL DRUM SCRAPER	1
41	BT064	SPIDERFLEX	1
42	BT40011	PLUMMER BEARING	2
43	BT40012	FLANGE BEARING	2
44	CR103	30 DEG ROLLER BRACKET	8
45	CR105	40 DEG ROLLER BRACKET	16
46	FAW48E	M48 PLAIN WASHER	8
47	CR401	CENTRE ROLLER	12
48	CR102	WING ROLLER	24
49	HM005	HYDRAULIC MOTOR	1
50	HR001	HYDRAULIC RAM	2
51	HR003	HYDRAULIC RAM	2
52	HR40009	HYDRAULIC RAM	2
53	HV005	CHECK VALVE	1
54	RU101	POLYSCRAPER	1
55	RU600	POLYSCRAPER	1

SCREEN ASSEMBLY

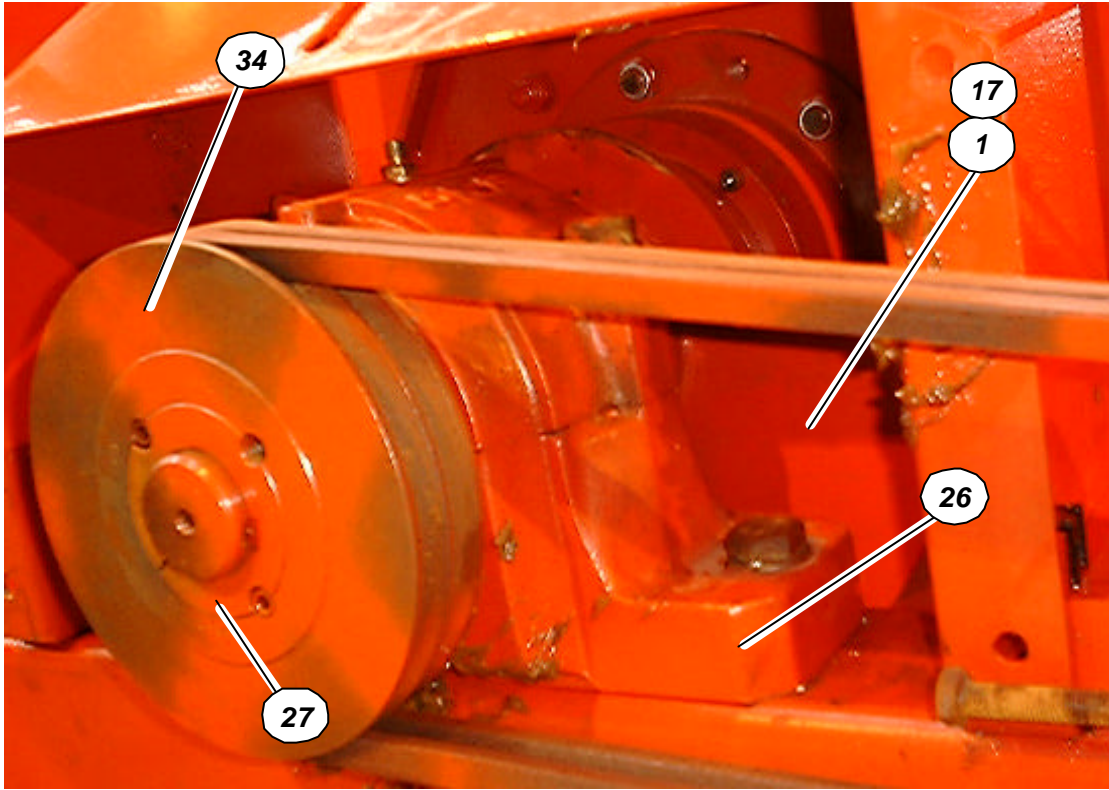


SCREENBOX AND SUBFRAME

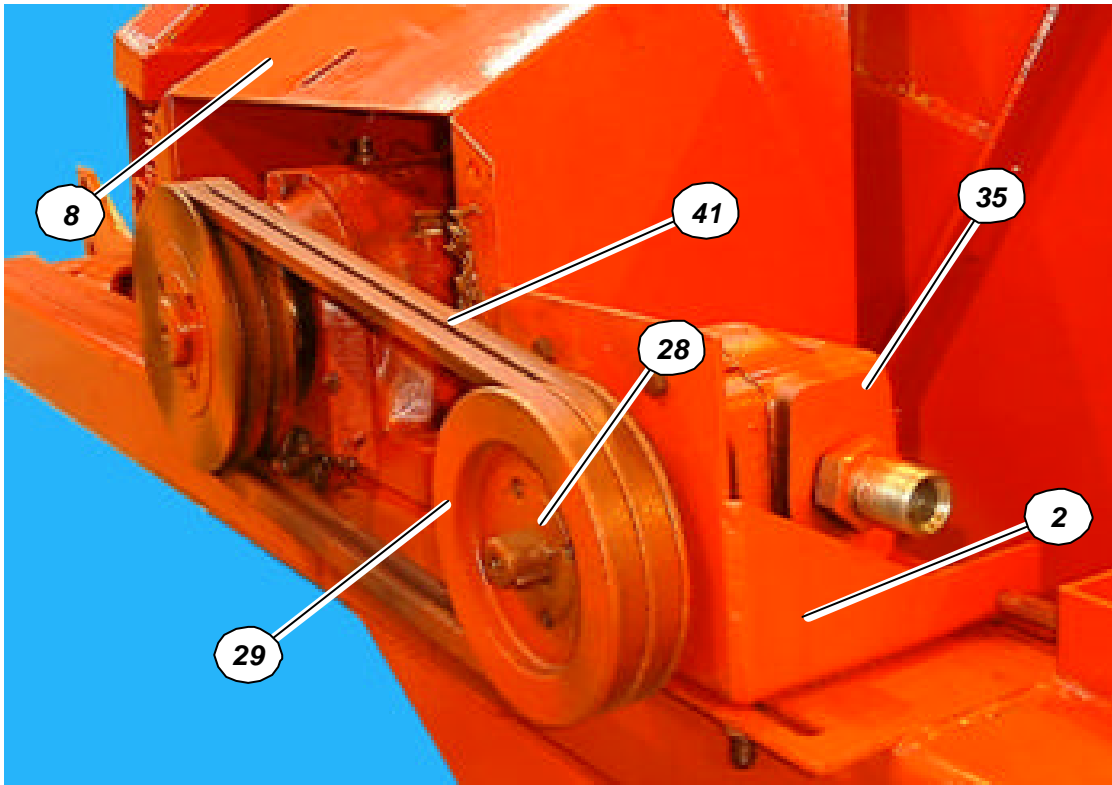


SCREENBOX AND SUBFRAME

SCREEN ASSEMBLY

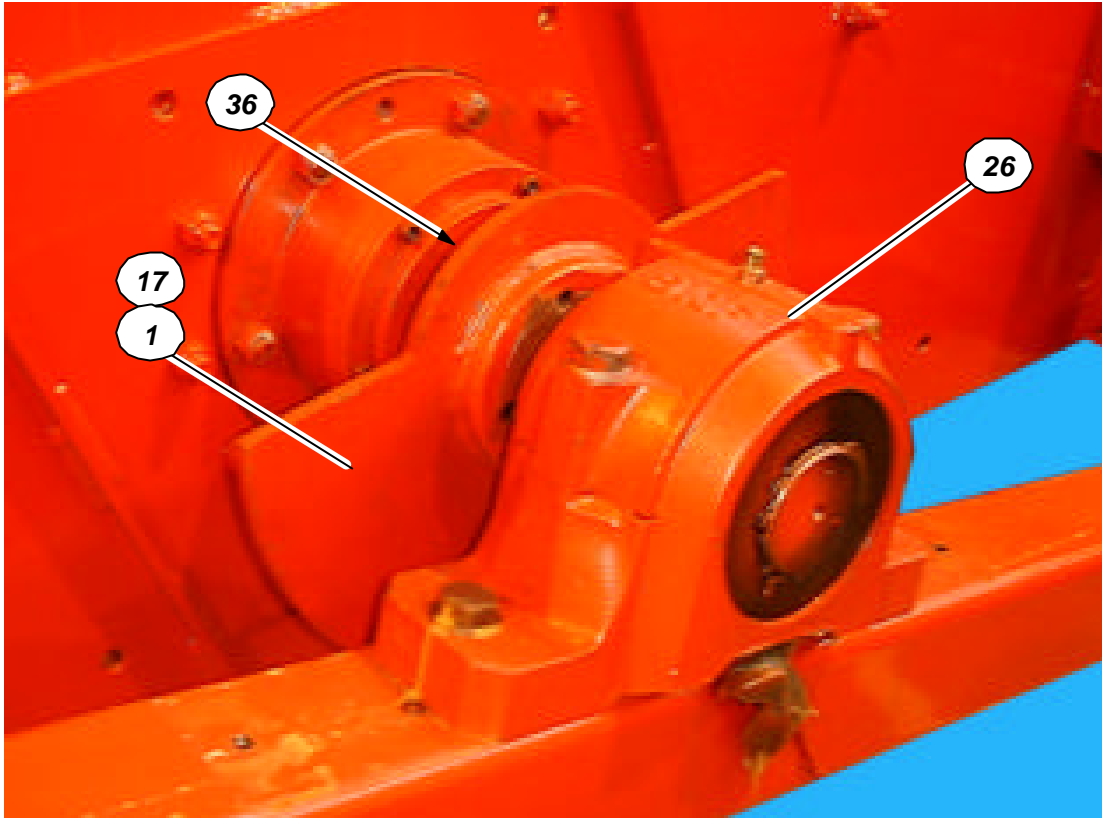


DRIVE PULLEY AND FLYWHEEL

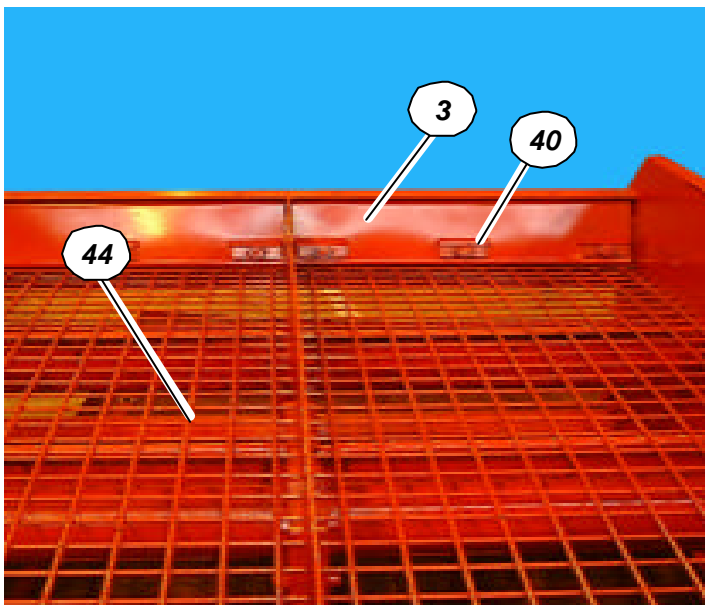


MOTOR AND V - BELTS

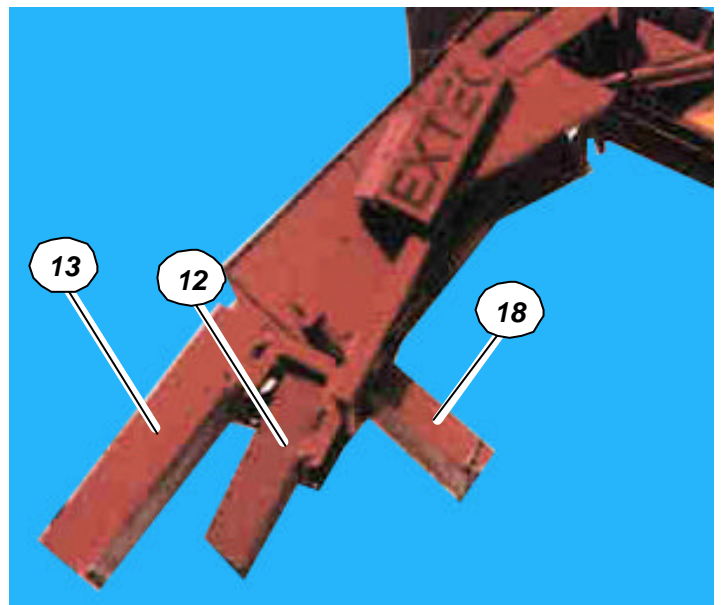
SCREEN ASSEMBLY



NON DRIVE FLYWHEEL

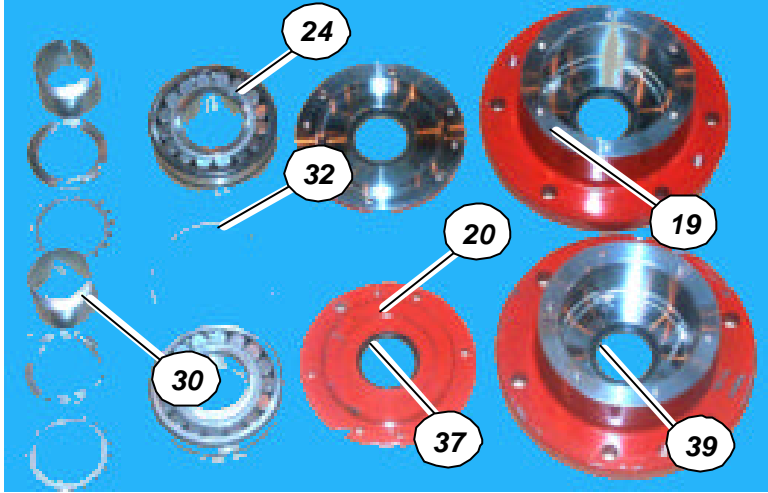


MESHING

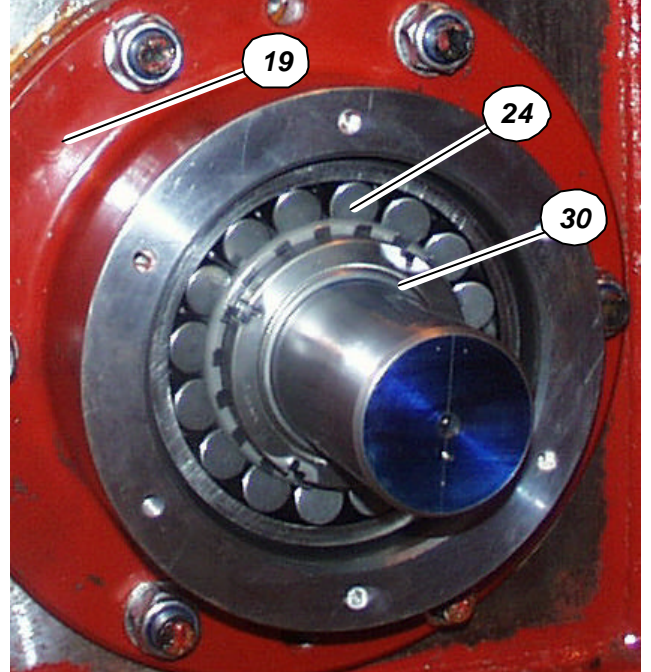


CHUTE ARRANGEMENT

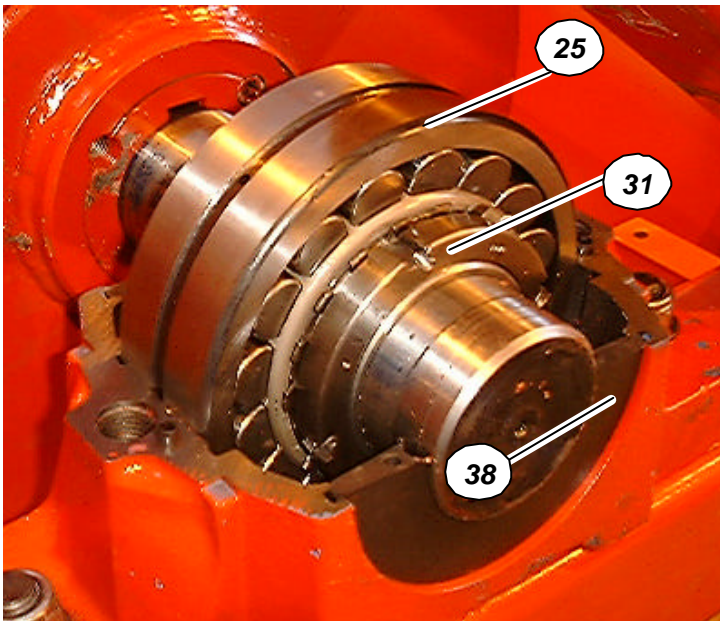
SCREEN ASSEMBLY



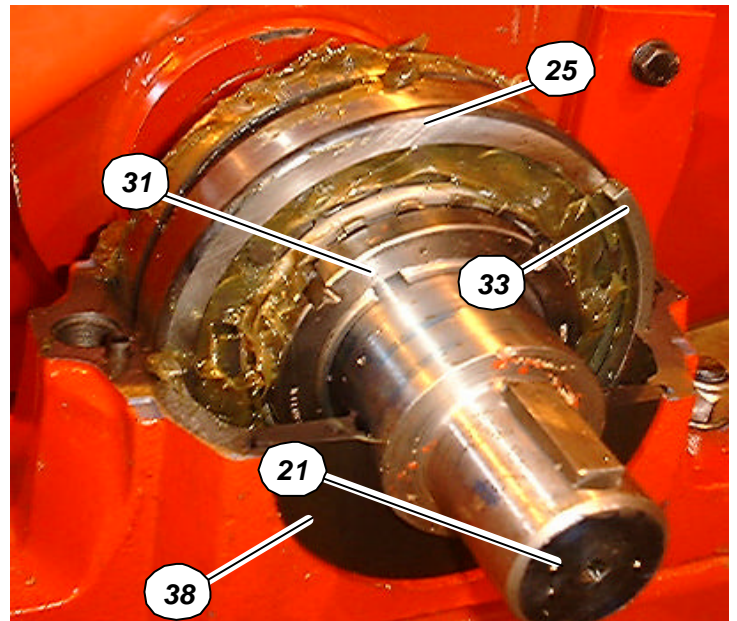
INNER BEARING COMPONENTS



VIEW OF INNER BEARING ASSEMBLY



NON DRIVEN OUTER BEARING

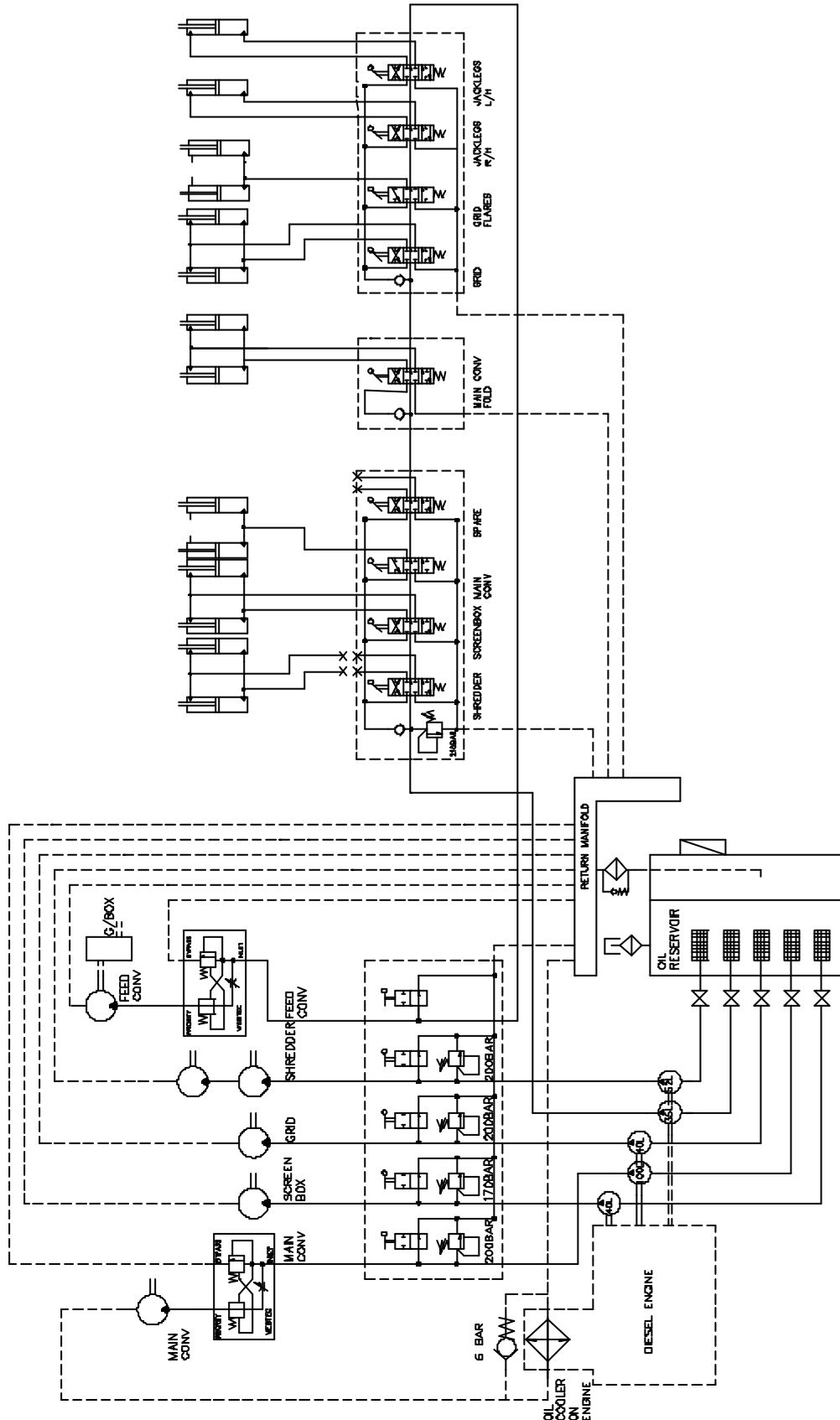


DRIVEN OUTER BEARING

SCREEN ASSEMBLY

ITEM NO.	PART No.	PART DESCRIPTION	QTY
1	G063 00 00	OUTER ECCENTRIC FLYWHEEL	1
2	G066 00 00	MOTOR MOUNTING PLATE	1
3	G075 00 00	MESH CLAMP	4
4	G080 00 00	SCREENBOX FABRICATION	1
5	G081 00 00	SUBFRAME FABRICATION	1
6			
7			
8	G084 00 00	LH FLYWHEEL COVER GUARD	1
9	G085 00 00	RH FLYWHEEL COVER GUARD	1
10	G086 00 00	FLYWHEEL COVER GUARD FRONT PLATE	2
11	G087 00 00	FLYWHEEL COVER FRONT PULLEY GUARD	1
12	G089 00 00	BOTTOM DECK CHUTE ASSEMBLY (OPTION)	1
13	G090 00 00	FINES DEFLECTION CHUTE (OPTION)	1
14	G091 00 00	DISCHARGE FINES FUNNEL (SEE LOOSE PARTS)	1
15	G092 00 00	RUBBER FIXING CLAMP	2
16			
17	G095 00 00	ECCENTRIC BALANCE PLATE 10 mm	8
18	G098 00 00	SMALL SECONDARY CHUTE (OPTION)	1
19	G060 00 00	INNER BEARING HOUSING	2
20	G061 00 00	INNER BEARING CAP	2
21	G062 00 00	ECCENTRIC SHAFT	1
22			
23			
24	BT001	INNER BEARING	2
25	BT002	OUTER BEARING	2
26	BT020	OUTER BEARING HOUSING	2
27	BT050	50 mm TAPERLOCK	1
28	BT039	25 mm TAPERLOCK	1
29	BT089	160 mm PULLEY	1
30	BT071	INNER BEARING INSERT	2
31	BT072	OUTER BEARING INSERT	2
32	BT080	INNER BEARING SPACER RING	1
33	BT081	OUTER BEARING SPACER RING	1
34	BT091	200 mm PULLEY	1
35	HM001F	HYDRAULIC MOTOR	1
36	BT100	INNER BEARING OUTER DUST SEAL	2
37	BT101	DOUBLE LIP OIL SEAL	2
38	BT102	OUTER BEARING OIL SEAL (SET)	2
39	BT103	SINGLE LIP OIL SEAL	2
40	FA291	T - BOLT	12
41	BT095A	V- BELT	2
42	SB011	SUPPORT RING	4
43			
44	SM014	MESH PANEL	2
45	RU001	RUBBER CAPPING	5
46	RU304	HANGING RUBBER	1
47			
48			
49			
50			
	* NOTE *	ITEM 30 & 31 BEARING INSERT KIT COMP :- OFF	
		INSERT 1 OFF	
		LOCKING WASHER 1 OFF	
		LOCKING NUT 1 OFF	

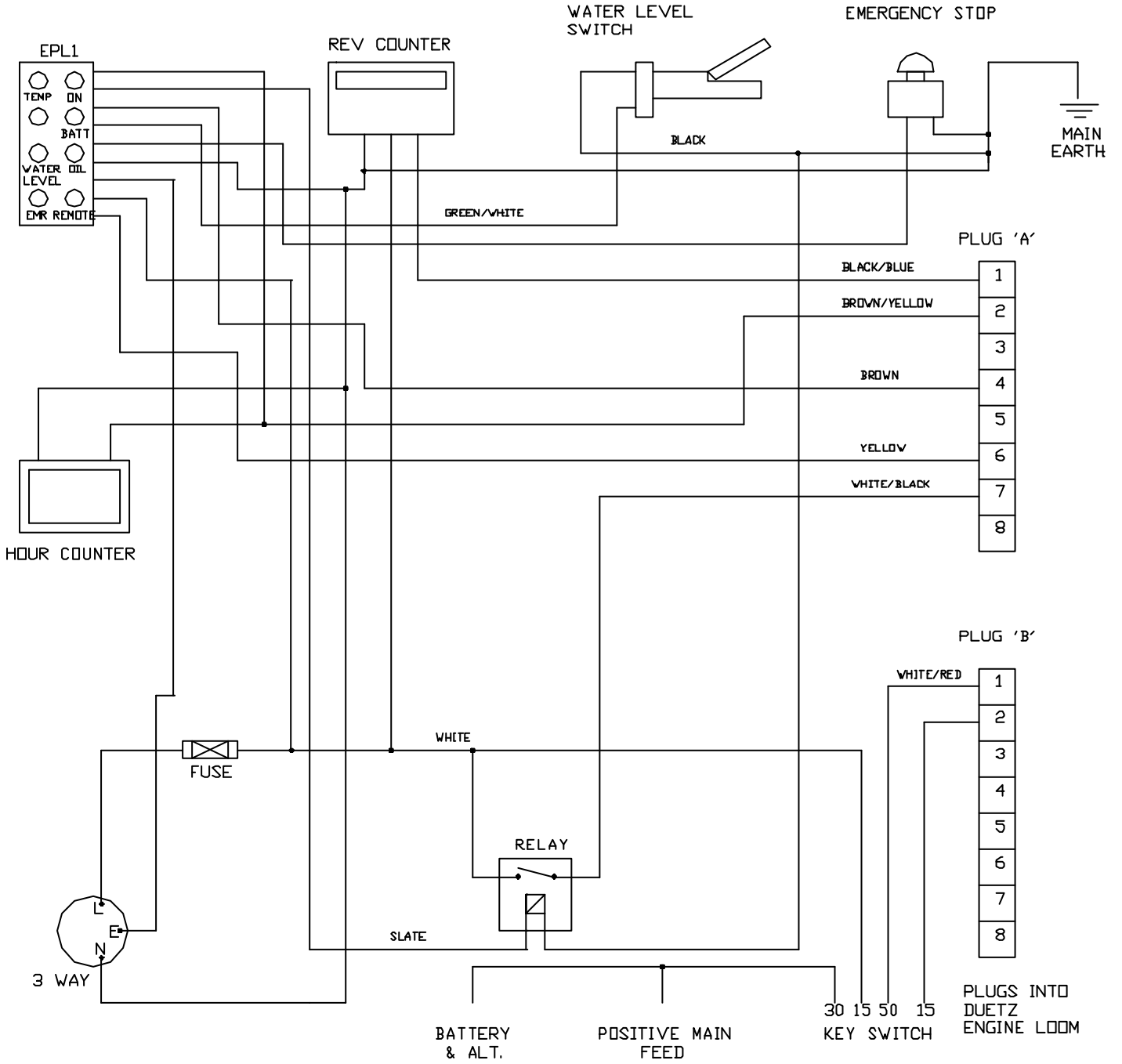
HYDRAULIC CIRCUIT



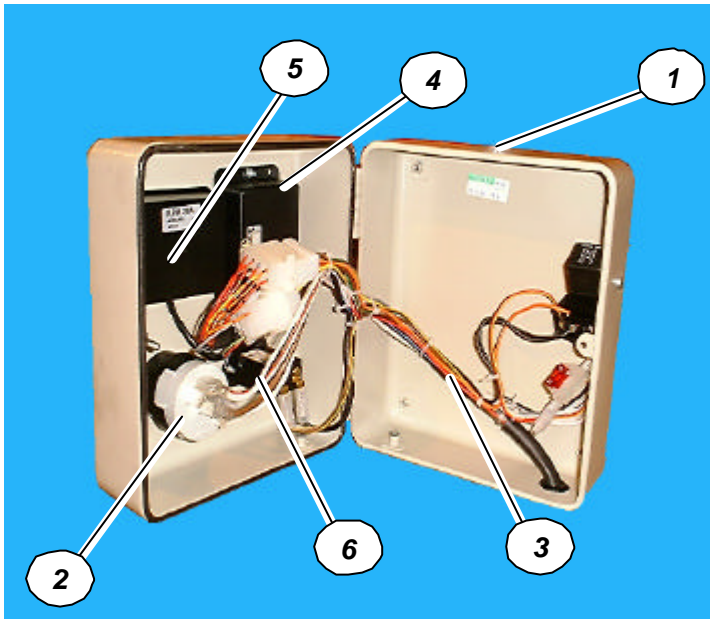
HYDRAULIC CIRCUIT

ITEM NO.	PART No.	PART DESCRIPTION	QTY
1	HH800D	HOSE KIT - CHASSIS KIT	1
2	HH500H	HOSE KIT - ENGINE	1
3	HH800R	HOSE KIT - REMOTE	1
4			
5	HH3000P	HOSE KIT - HOPPER	1
6	HH3000Q	HOSE KIT - SHREDDER	1
7	HH3000W	HOSE KIT - HOPPER GRID BOLTED TYPE	1
8	HH3000X	HOSE KIT - HOPPER GRID WELDED TYPE	1
9			
10			
11			
12			
13			
14			
15			
16			
17			
18			
19			
20			
21			
22			
23			
24			
25			
26			
27			
28			
29			
30			
31			
32			
33			
34			
35			
36			
37			
38			
39			
40			
41			
42			
43			
44			
45			
46			
47			
48			
49			
50			
51			
52			
53			
54			
55			

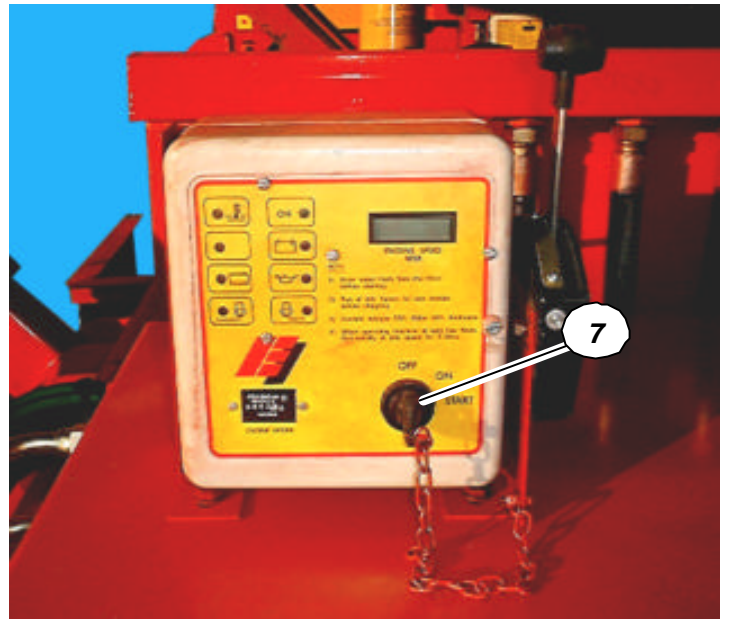
WIRING DIAGRAM



WIRING DIAGRAM



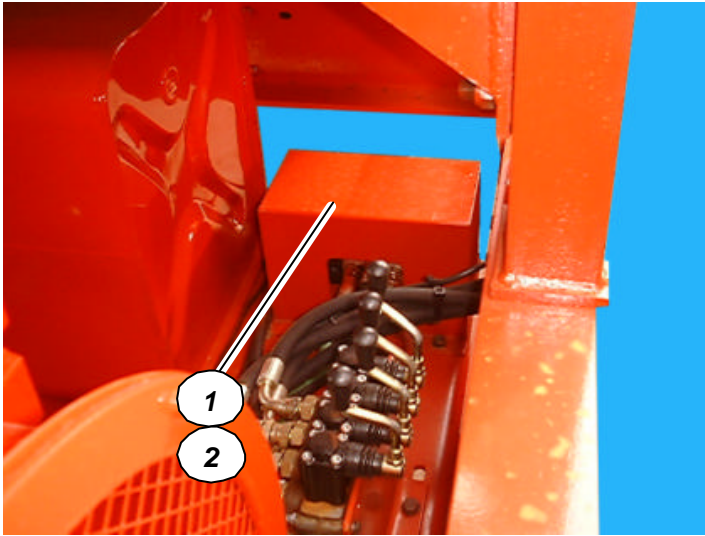
INSIDE IGNITION CONTROL BOX



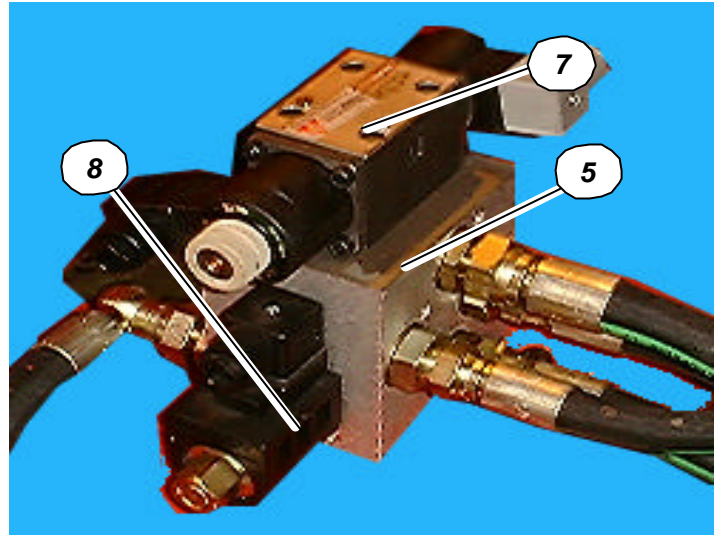
VIEW LOOKING ON IGNITION CONTROL BOX

ITEM NO.	PART No.	PART DESCRIPTION	QTY
1	ENPP210000	CONTROL BOX	1
2	EN006C	KEY AND SWITCH	1
3	ENPP210000A	WIRING LOOM	1
4	ENPP210001	ENGINE PROTECTION UNIT (EPU)	1
5	ENPP210002	REVCOUNTER	1
6	EN312A	HOURLMETER	1
7	EN006B	KEY	1
8			
9			
10			
11			
12			
13			
14			
15			
16			
17			
18			
19			
20			
21			
22			
23			
24			
25			
26			
27			
28			
29			
30			

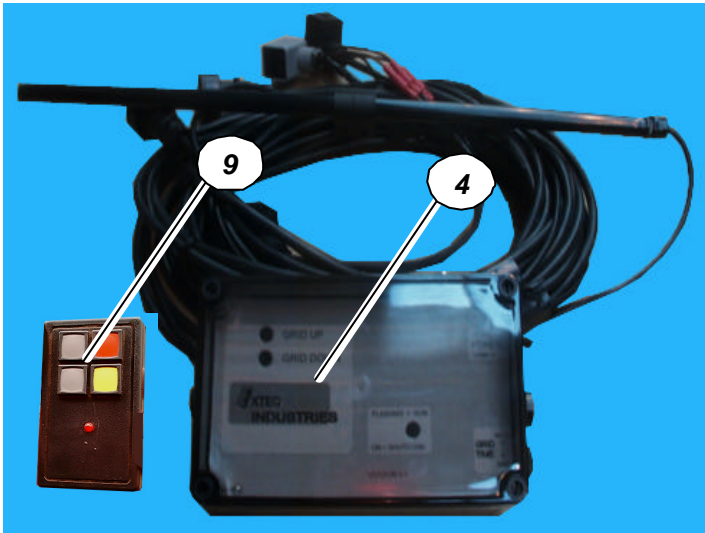
REMOTE CONTROL



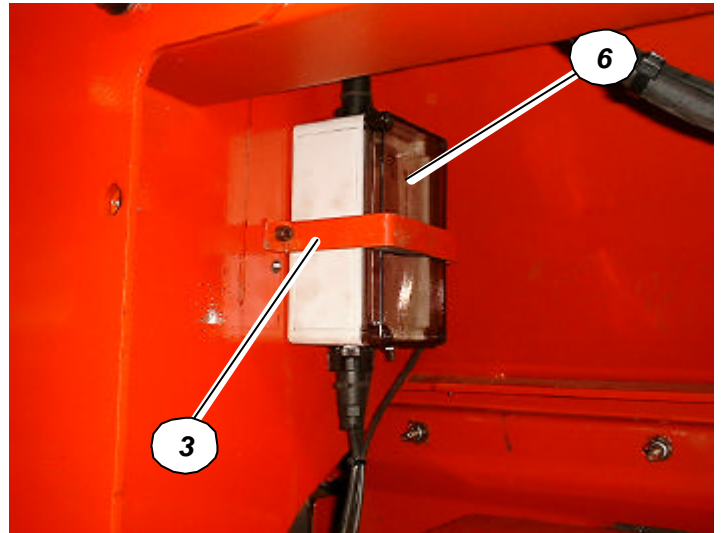
REMOTE CONTROL VALVE GUARD



REMOTE CONTROL VALVE



REMOTE CONTROL KIT

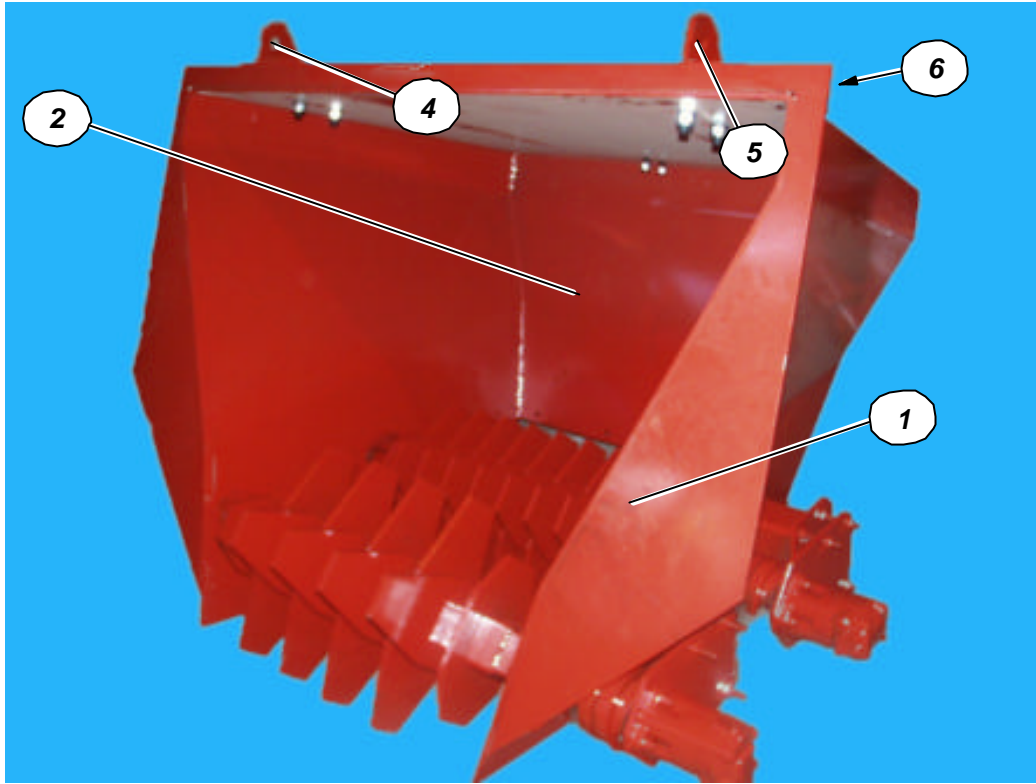


REMOTE RECEIVER LOOKING ON
LH SIDE OF HOPPER

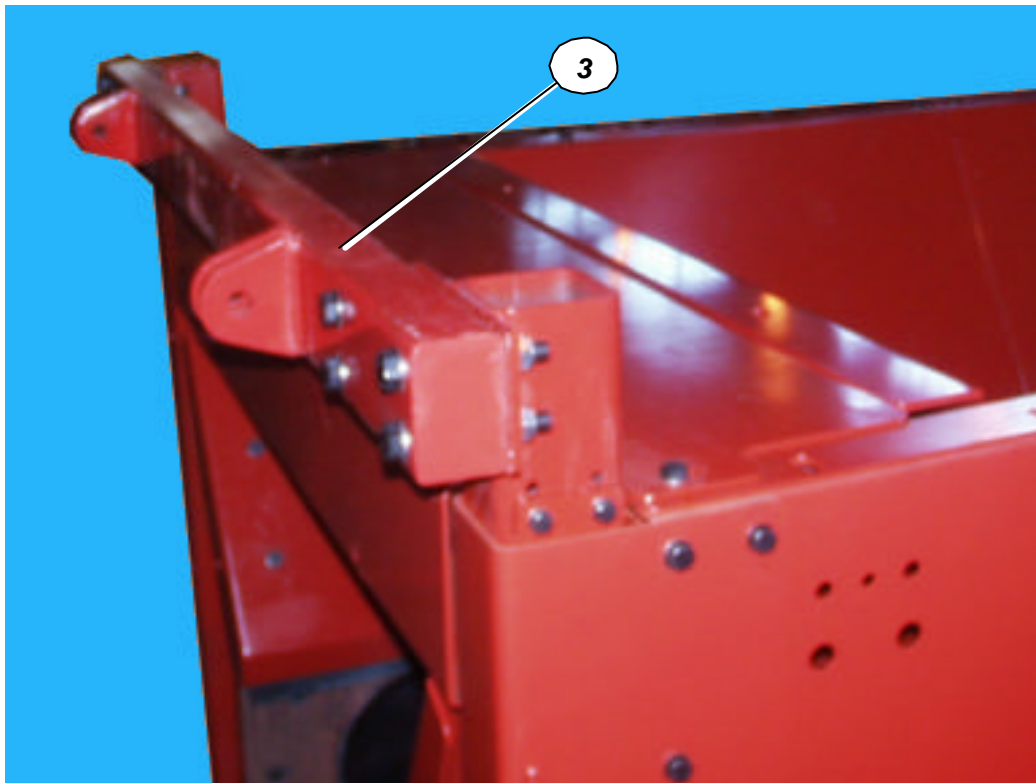
REMOTE CONTROL

ITEM NO.	PART No.	PART DESCRIPTION	QTY
1	B 218 00 00	REMOTE CONTROL GUARD	1
2	B 219 00 00	REMOTE COTROL RECIEVER MTG. BRACKET	1
3	C 059 00 00	REMOTE COTROL RECIEVER BRACKET	1
4	RC050	REMOTE CONTROL KIT	1
5	RC051A	REMOTE RFEXTT761/12VDC	1
6	RC050B	REMOTE CONTROL RECEMER	1
7	RC051D	DOUBLE ACTING SOLENOID VALVE	1
8	RC051E	DUMP VALVE ASSY.	1
9	RC40786	R/C HANDSET GRID	1
10			
11			
12			
13			
14			
15			
16			
17			
18			
19			
20			
21			
22			
23			
24			
25			
26			
27			
28			
29			
30			
31			
32			
33			
34			
35			
36			
37			
38			
39			
40			
41			
42			
43			
44			
45			
46			
47			
48			
49			
50			
51			
52			
53			
54			
55			

SHREDDER ASSEMBLY

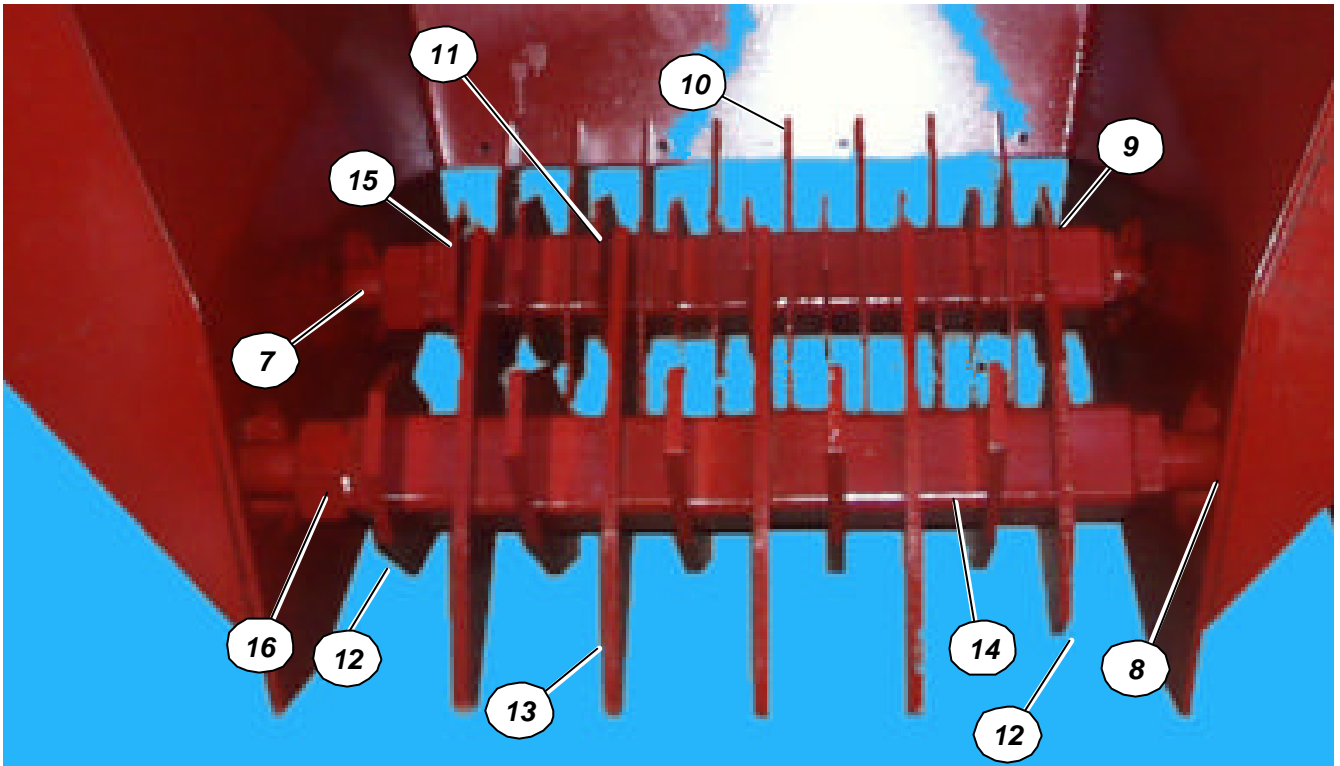


SHREDDER ASSEMBLY

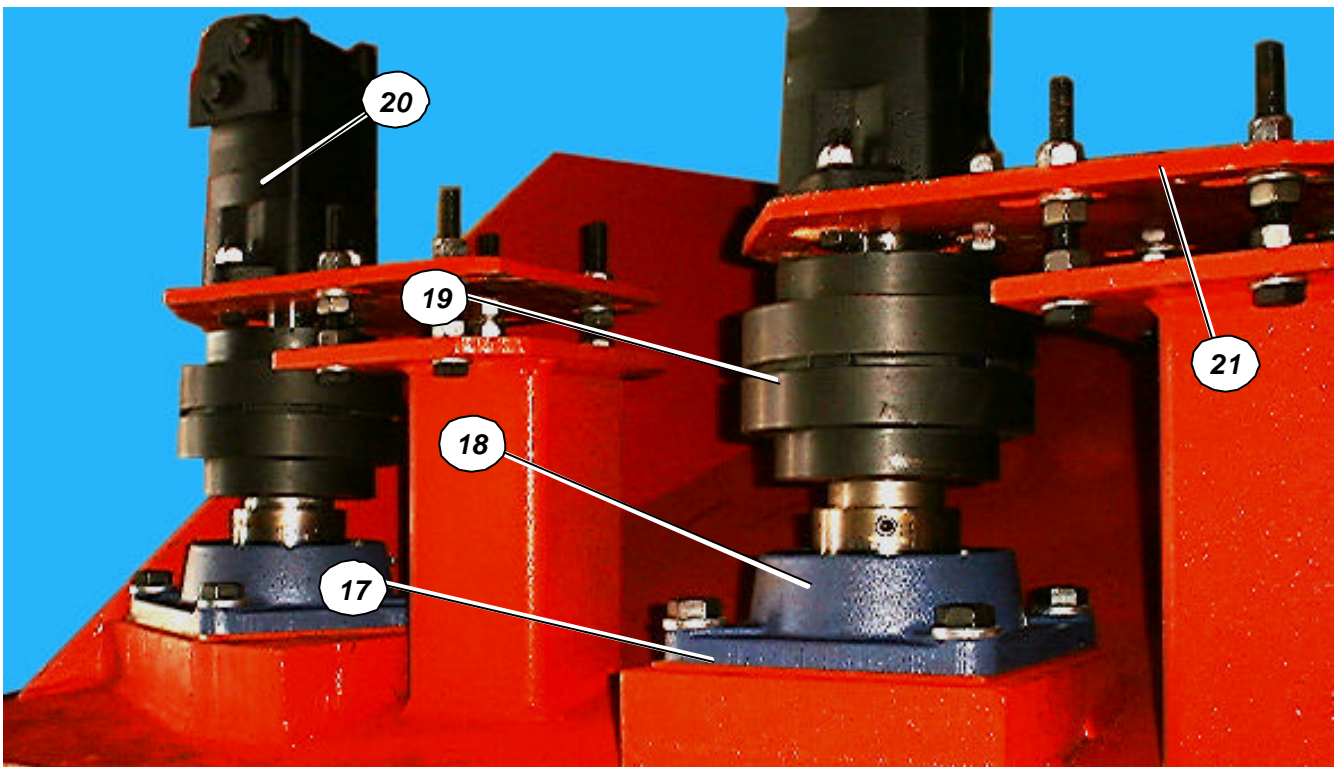


VIEW ON HOPPER SHOWING SHREDDER SUPPORT CROSSMEMBER

SHREDDER ASSEMBLY

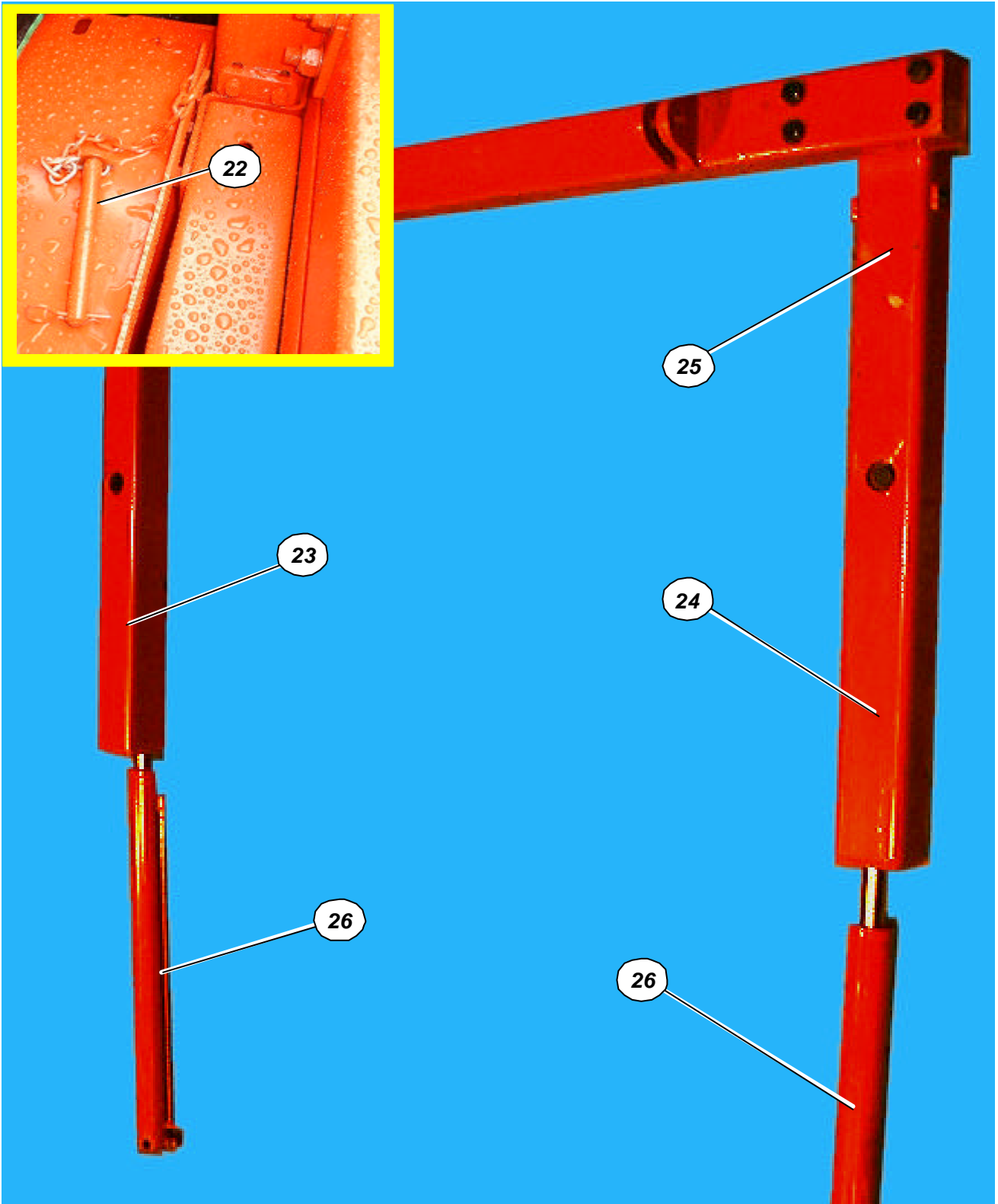


VIEW ON SHREDDER SHAFTS



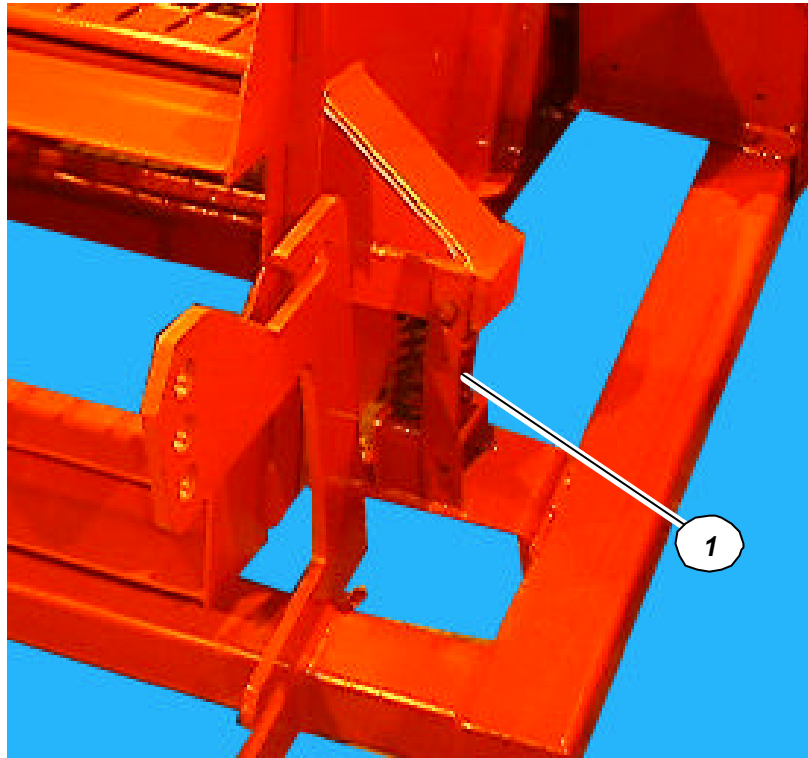
VIEW ON SHREDDER DRIVE MOTORS

SHREDDER ASSEMBLY



SHREDDER LIFTING LEG ASSEMBLY

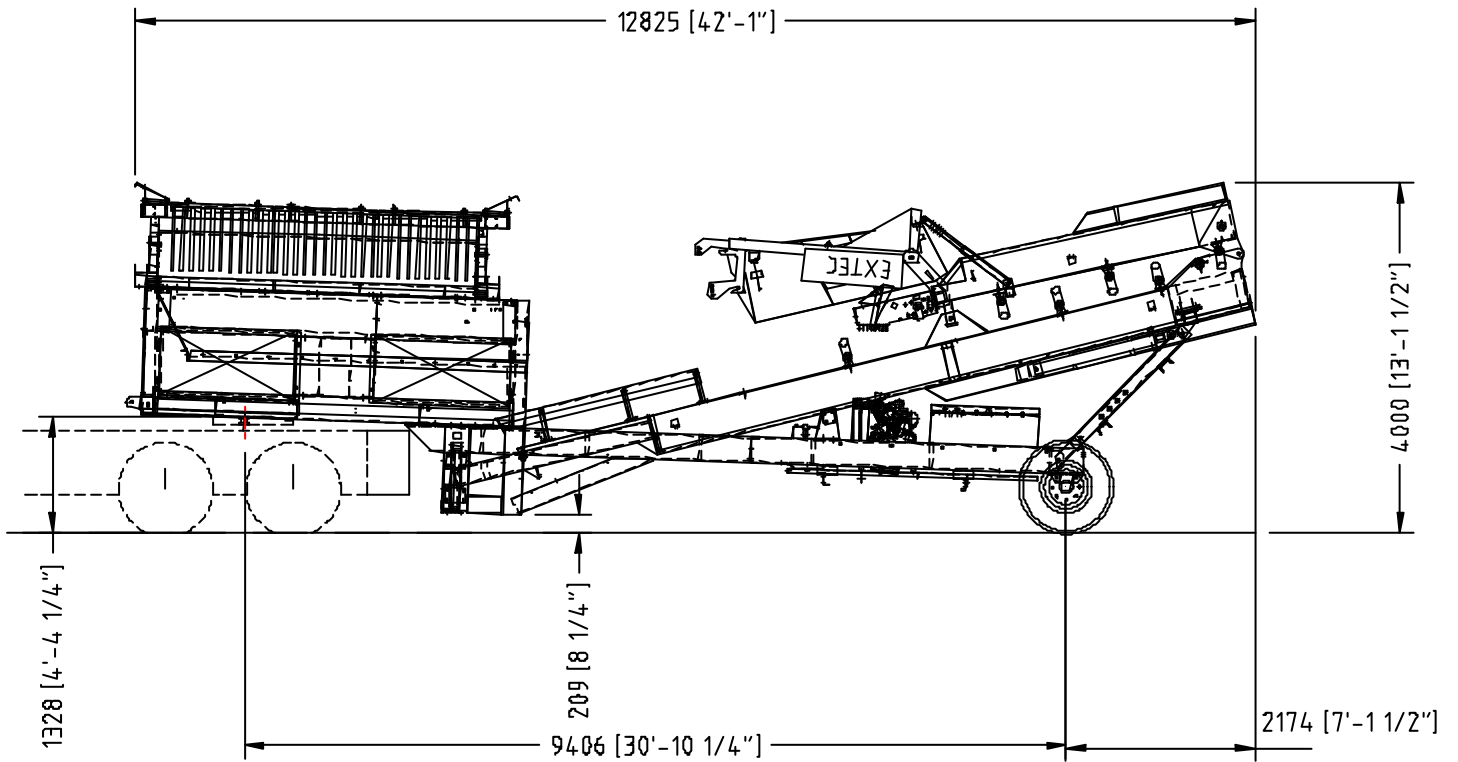
TRANSPORTATION



SCREENBOX RETAINING TRANSFER STRAP

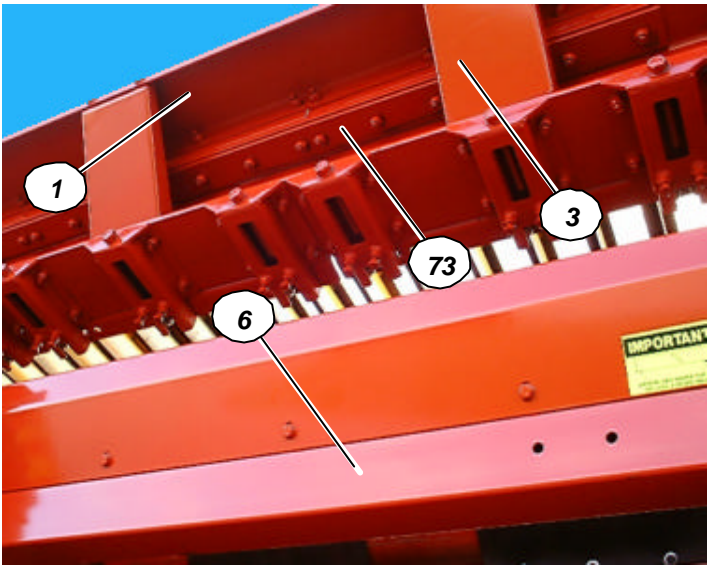
ITEM NO.	PART No.	PART DESCRIPTION	QTY
1	G093 00 00	SCREENBOX RETAINING TRANSFER STRAP	4
2			
3			
4			
5			
6			
7			
8			
9			
10			

TRANSPORTATION

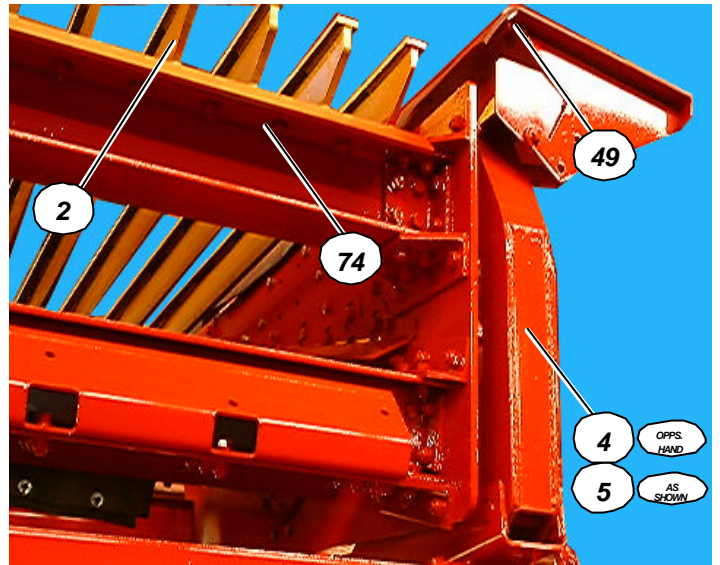


TRANSPORTATION WIDTH 2750 (9' - 0")

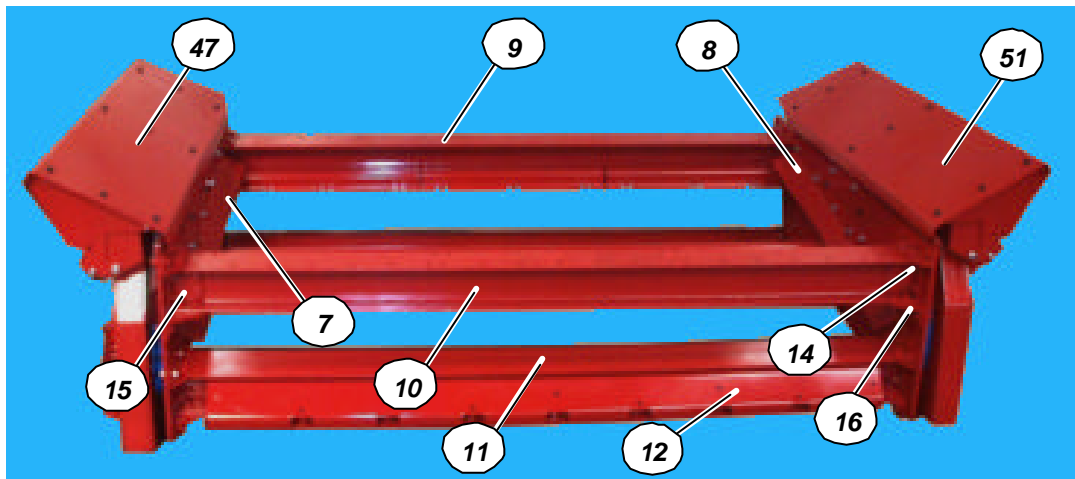
TRANSPORTATION



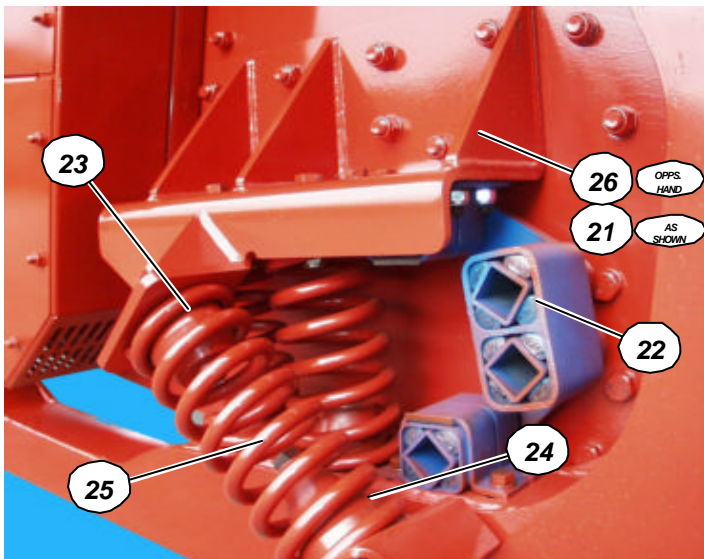
VIEW ON REAR OF VIBRATING GRID



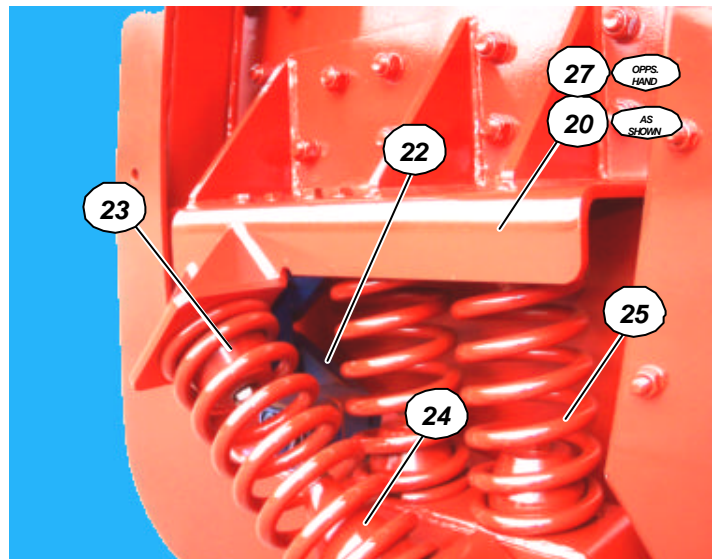
VIEW ON FRONT OF VIBRATING GRID



GRID BEAMS & MESH SEATING PLATES

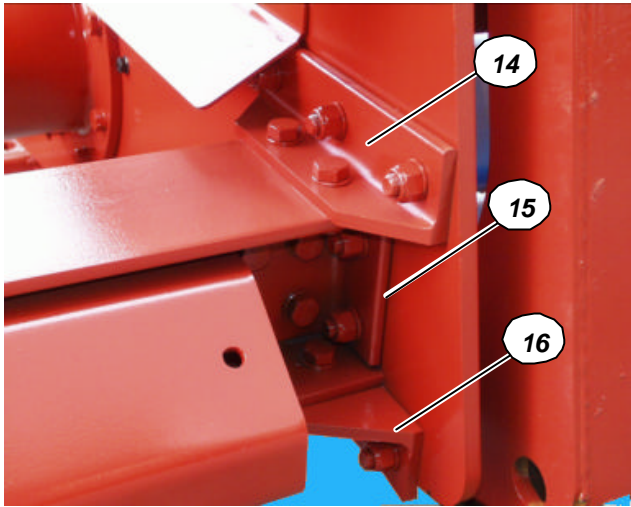


VIEW ON FRONT SUSPENSION

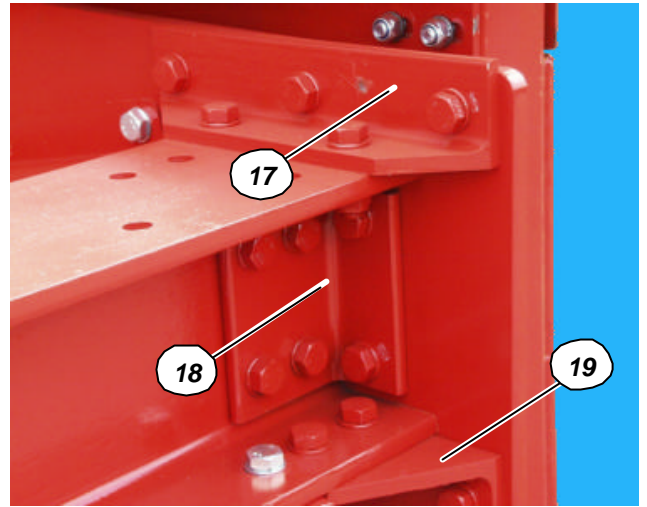


VIEW ON REAR SUSPENSION

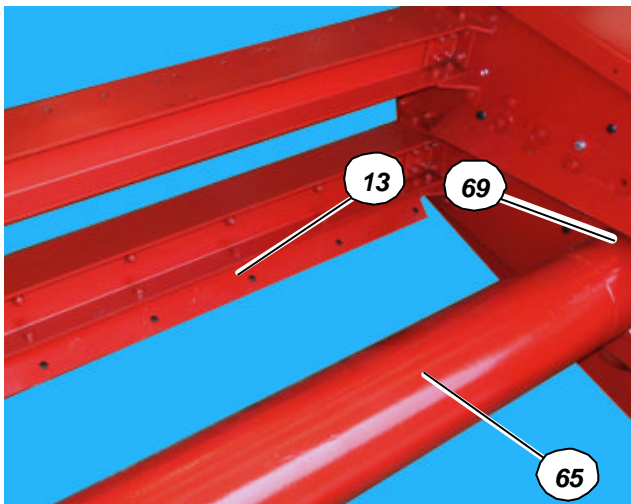
VIBRATING GRID



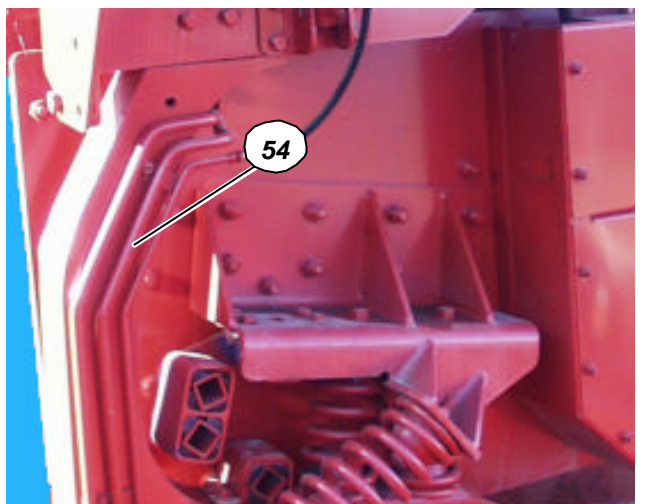
TYPICAL FRONT BEAM SUPPORT JOINT



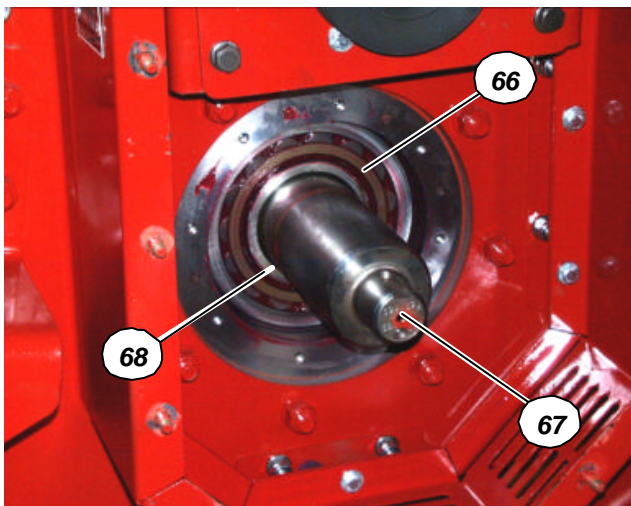
TYPICAL REAR BEAM SUPPORT JOINT



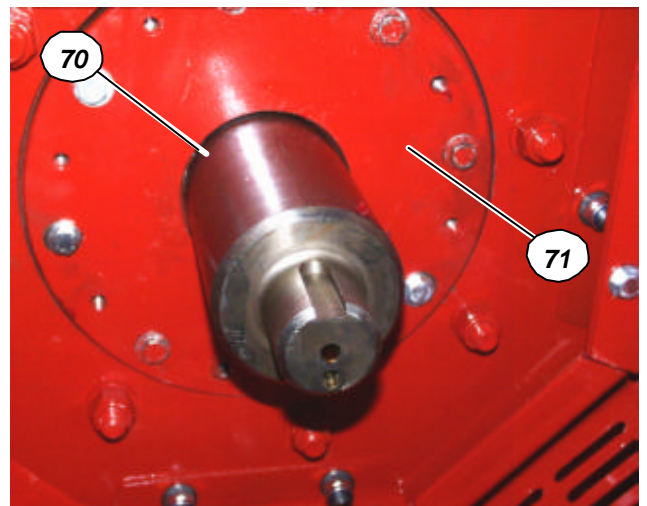
REAR DEFLECTOR PLATE & CENTRE TUBE



TRIPLE STEEL HYDRAULIC PIPE

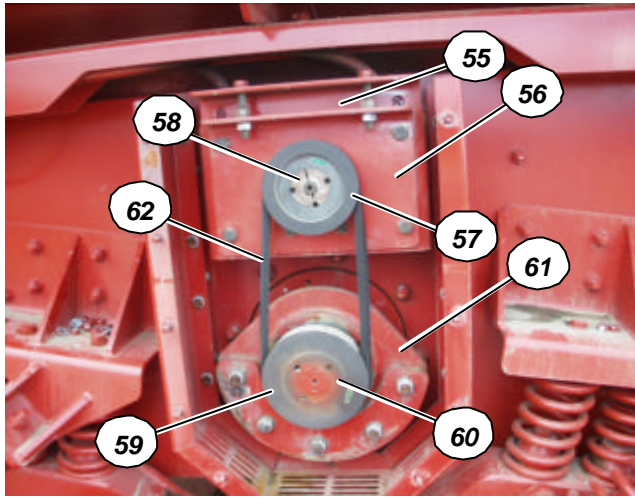


SHAFT AND BEARING ASSEMBLY

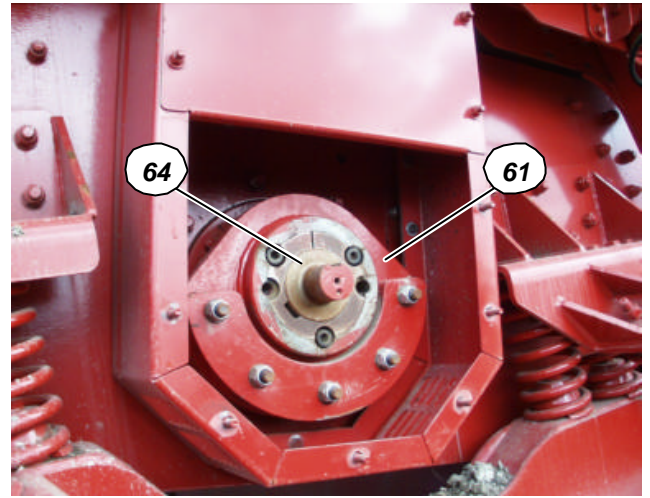


BEARING SEAL AND END CAP

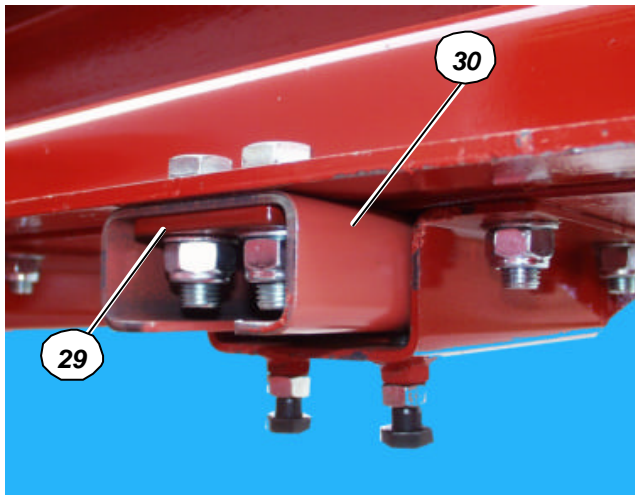
VIBRATING GRID



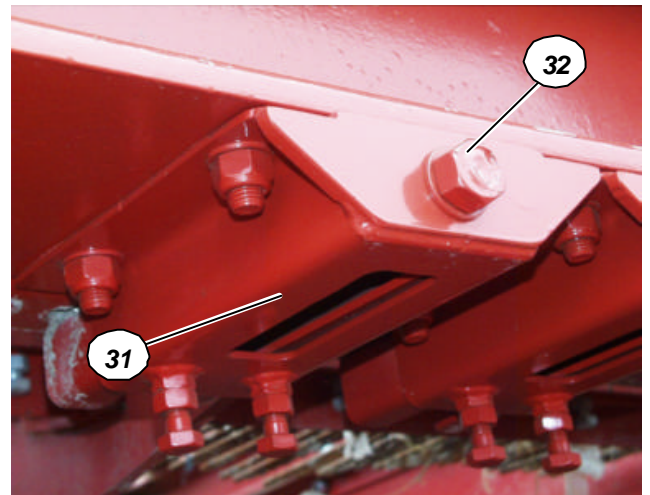
DRIVE PULLEYS



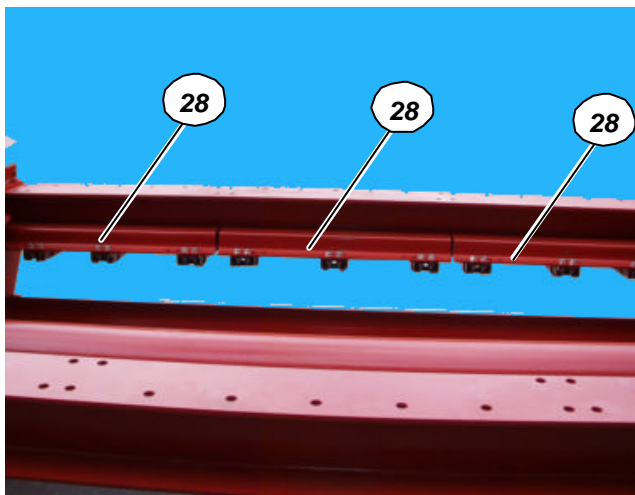
NON DRIVE END



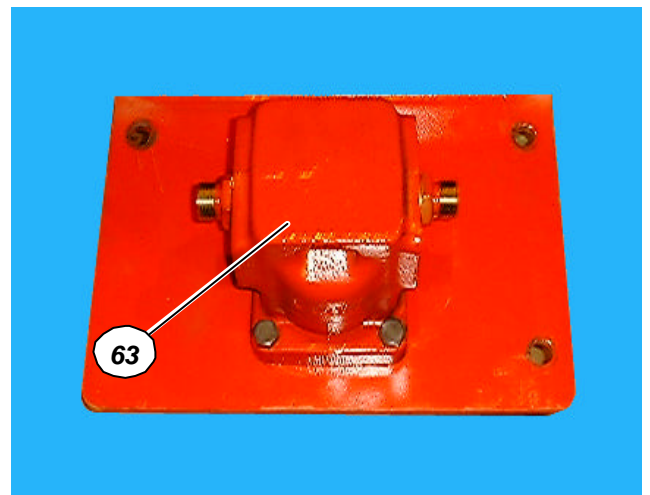
MESH CLAMP ADJUSTER INSIDE CLAMP



MESH CLAMP OUTSIDE GRID

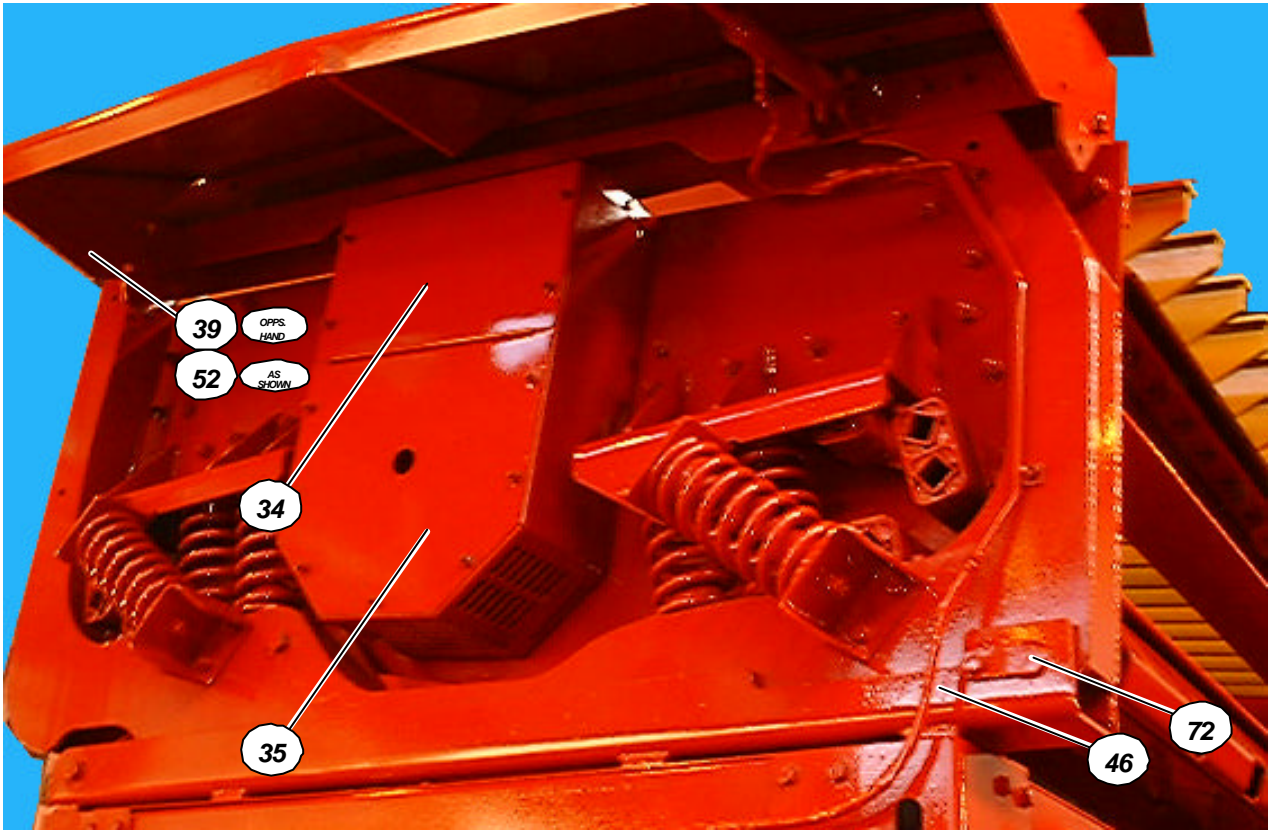


GRID MESH CLAMPS

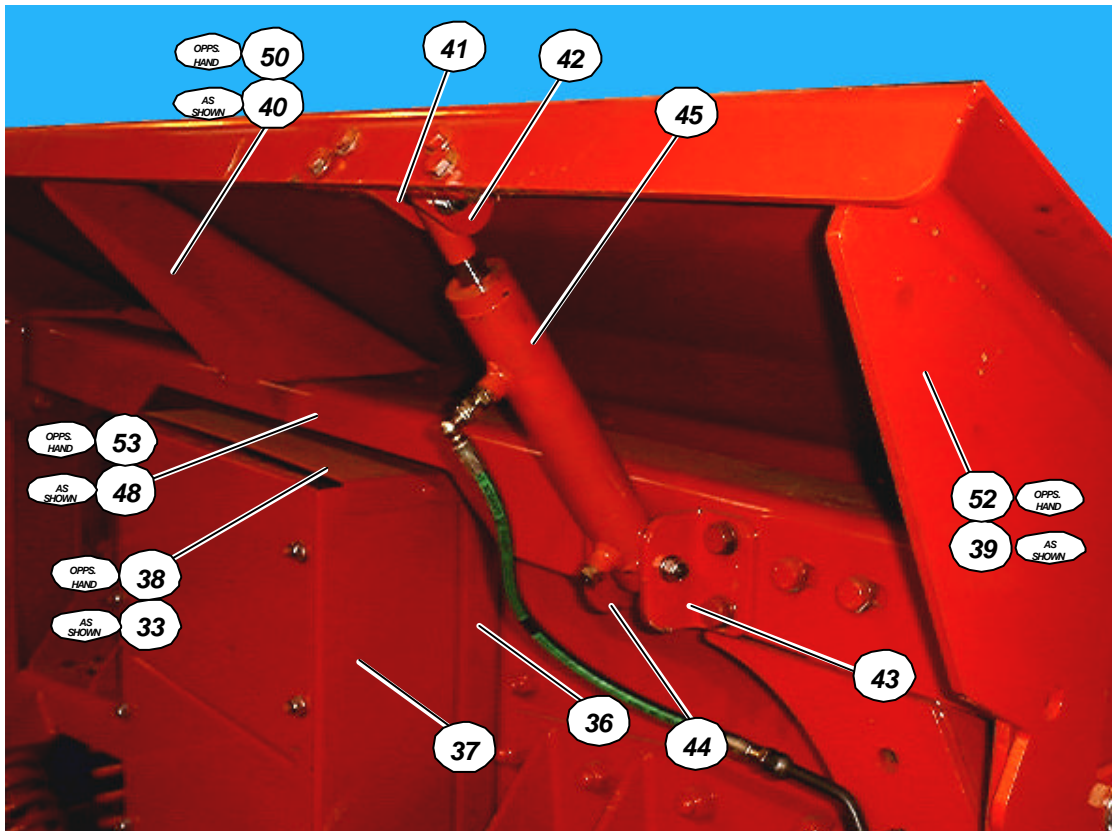


DRIVE MOTOR

VIBRATING GRID



VIEW ON VIBRATING GRID SIDE



VIEW SHOWING FLAIR RAMS

VIBRATING GRID

ITEM NO.	PART No.	PART DESCRIPTION	QTY
1	H341 00 00	REAR SPILL PLATE	1
2	H350 00 00	GRID BAR SECTION	3
3	H112 00 00	REAR SPILL PLATE SUPPORT	3
4	H130 00 00	SUB FRAME (LH SIDE)	1
5	H131 00 00	SUB FRAME (RH SIDE)	1
6	H129 00 00	REAR CROSS MEMBER	1
7	H325 00 00	LH SCREEN MESH SEALING PLATE	1
8	H326 00 00	RH SCREEN MESH SEALING PLATE	1
9	H301 00 00	REAR IBEAM	1
10	H327 00 00	FRONT TOP IBEAM	1
11	H328 00 00	FRONT BOTTOM IBEAM	1
12	H333 00 00	FRONT BOTTOM IBEAM STIFFENER PLATE	1
13	H332 00 00	BOTTOM IBEAM DEFLECTOR PLATE	1
14	H329 00 00	FRONT I BEAM TOP SUPPORT ANGLE	4
15	H331 00 00	FRONT IBEAM SIDE SUPPORT ANGLE	8
16	H330 00 00	FRONT I BEAM BOTTOM SUPPORT ANGLE	4
17	H302 00 00	REAR IBEAM TOP SUPPORT ANGLE	2
18	H304 00 00	REAR IBEAM SIDE SUPPORT ANGLE	4
19	H303 00 00	REAR IBEAM BOTTOM SUPPORT ANGLE	2
20	H317 00 00	REAR LH SIDE SUSPENSION BRACKET	1
21	H315 00 00	FRONT LH SIDE SUSPENSION BRACKET	1
22	RUBBO70000	ROSTA SUSPENSION DAMPER	4
23	H061 00 00	SMALL SPRING SEAT	20
24	H062 00 00	LARGE SPRING SEAT	4
25	BG27 00 00	SUSPENSION SPRING	12
26	H314 00 00	FRONT RH SIDE SUSPENSION BRACKET	1
27	H316 00 00	REAR RH SIDE SUSPENSION BRACKET	1
28	H322 00 00	MESH CLAMP PLATE	3
29	H324 03 00	MESH CLAMP INNER STIFFENER PLATE	9
30	H324 00 00	MESH CLAMP INNER	9
31	H323 00 00	MESH CLAMP OUTER	9
32	FA292	MESH CLAMP ADJUSTER BOLT	9
33	H340 00 00	FLYWHEEL GUARD TOP COVER (NON-DRVEN)	1
34	H311 03 00	FLYWHEEL GUARD TOP COVER	2
35	H311 02 00	FLYWHEEL GUARD BOTTOM COVER	2
36	H310 00 00	FLYWHEEL GUARD MOUNTING PLATE	2
37	H311 00 00	FLYWHEEL GUARD MAIN BODY	2
38	H339 00 00	FLYWHEEL GUARD TOP COVER (DRIVE SIDE)	1
39	H120 00 00	WING SUPPORT BRACKET (LH SIDE)	2
40	H110 00 00	WING SUPPORT BRACKET (CENTRE LH SIDE)	1
41	H119 00 00	WING RAM TOP BRACKET (RH SIDE)	2
42	H118 00 00	WING RAM TOP BRACKET (LH SIDE)	2
43	H116 00 00	WING RAM BOTTOM BRACKET (RH SIDE)	2
44	H117 00 00	WING RAM BOTTOM BRACKET (LH SIDE)	2
45	HR140	WING RAM	2
46	IR3275	STEEL HYDRAULIC PIPE (SINGLE)	1
47	H137 00 00	WING (LH SIDE)	1
48	H135 00 00	SUB FRAME WING SUPPORT (LH SIDE)	1
49	H349 00 00	SIDE FLARE RUBBER CLAMP	2
50	H111 00 00	WING SUPPORT BRACKET (CENTRE RH SIDE)	1
51	H138 00 00	WING (RH SIDE)	1
52	H121 00 00	WING SUPPORT BRACKET (RH SIDE)	2
53	H136 00 00	SUB FRAME WING SUPPORT BRACKET (RH SIDE)	2
54	IR3276	STEEL HYDRAULIC PIPE (TRIPLE)	1
55	H308 00 00	MOTOR MOUNTING BRACKET	1

6000



ITEM NO.	PART No.	PART DESCRIPTION	QTY
56	H309 00 00	MOTOR MOUNTING PLATE	1
57	BT090	MOTOR DRIVE PULLEY	1
58	BT052	MOTOR DRIVE PULLEY TAPER LOCK BUSH	1
59	BT091	DRME PULLEY	1
60	BT046	SHAFT DRIVE PULLEY TAPER LOCK BUSH	1
61	H338 00 00	FLYWHEEL	2
62	BT096B	VEE BELT	2
63	HM001F	HYDRAULIC MOTOR	1
64	BT059	FLYWHEEL TAPER LOCK BUSH	2
65	H306 01 00	CENTRE TUBE	1
66	BEA 22324	BEARING	2
67	H305 00 00	DRIVE TUBE	1
68	H307 00 00	BEARING LOCKING RING	1
69	H306 02 00	BEARING HOUSING	2
70	SL 001	SHAFT SEAL	2
71	H306 03 00	BEARING HOUSING END CAP	2
72	C041 00 00	ROTATION PIN	2
73	H346 00 00	FRONT SUPPORT PLATE	1
74	H347 00 00	REAR SUPPORT PLATE	1
75	H097 00 00	TENSION BLOCK	9
76	HR41172	ROTATION RAM	2
77			
78			
79			
80			
81			
82			
83			
84			
85			
86			
87			
88			
89			
90			
91			
92			
93			
94			
95			
96			
97			
98			
99			
100			
101			
102			
103			
104			
105			
106			
107			
108			
109			
110			

SCREEN MESHES

PART No.	PART DESCRIPTION		PART No.	PART DESCRIPTION
SM001	WELDED MESH 15 x 15 x 5mm		SM214A	WELDED MESH 50 x 50 x 7.1mm
SN002	WELDED MESH 18 x 18 x 5mm		SM217	WELDED MESH 75 x 75 x 10mm
SM003	WELDED MESH 20 x 20 x 5mm		SM219	WELDED MESH 85 x 85 x 10mm
SM005	WELDED MESH 25 x 25 x 6mm		SM220	WELDED MESH 90 x 90 x 12mm
SM006	WELDED MESH 28 x 28 x 6mm		SM240	WELDED MESH 4 x 100 x 1.25mm
SM007	WELDED MESH 30x 30 x 6mm		SM241	WELDED MESH 5 x 100 x 1.6mm
SM009	WELDED MESH 35 x 35 x 6mm		SM242	WELDED MESH 6 x 100 x 1.6mm
SM011	WELDED MESH 40 x 40 x 8mm		SM243	WELDED MESH 8 x 100 x 2mm
SM013	WELDED MESH 45 x 45 x 8mm		SM244	WELDED MESH 10 x 100 x 2mm
SM014	WELDED MESH 50 x 50 x 8mm		SM245	WELDED MESH 12 x 100 x 2mm
SM015	WELDED MESH 55 x 55 x 8mm		SM247	WELDED MESH 15 x 100 x 3mm
SM017	WELDED MESH 60 x 60 x 9.5mm		SM249	WELDED MESH 18 x 100 x 3mm
SM018	WELDED MESH 70 x 70 x 9.5mm		SM250	WELDED MESH 20 x 100 x 3mm
SM019	WELDED MESH 75 x 75 x 12mm		SM251	WELDED MESH 25 x 100 x 5mm
SM020	WELDED MESH 80 x 80 x 12mm		SM252	WELDED MESH 30 x 100 x 5mm
SM021	WELDED MESH 85 x 85 x 12mm		SM256	WELDED MESH 40 x 100 x 5mm
SM022	WELDED MESH 90 x 90 x 12mm		SM300	2 mm PIANO WIRE
SM198	WELDED MESH 65 x 65 x 9.5mm		SM301	3 mm PIANO WIRE
SM200	WELDED MESH 8 x 8 x 1.6mm		SM302	4 mm PIANO WIRE
SM201	WELDED MESH 6 x 6 x 1.6mm		SM303	5 mm PIANO WIRE
SM202	WELDED MESH 5 x 5 x 1.6mm		SM304	6 mm PIANO WIRE
SM203	WELDED MESH 10 x 10 x 2mm		SM305	8 mm PIANO WIRE
SM204	WELDED MESH 12 x 12 x 2.5mm		SM306	10 mm PIANO WIRE
SM207	WELDED MESH 15 x 15 x 2.5mm		SM307	12 mm PIANO WIRE
SM211	WELDED MESH 20 x 20 x 2.5mm		SM308	14 mm PIANO WIRE
SM212	WELDED MESH 30 x 30 x 4mm		SM309	16 mm PIANO WIRE
SM213A	WELDED MESH 35 x 35 x 5mm		SM311	20 mm PIANO WIRE
SM213B	WELDED MESH 40 x 40 x 6mm		SM312	25 mm PIANO WIRE
SM214	WELDED MESH 45 x 45 x 6.3mm			

VIBRATING GRID MESHES

PART No.	PART DESCRIPTION	PART No.	PART DESCRIPTION
SM433	MESH 15 x 100 x 3 mm - WOVEN	SM470	MESH 40 x 100 x 5 mm - WOVEN
SM434	MESH 20 x 100 x 5 mm - WOVEN	SM471	MESH 45 x 100 x 5 mm - WOVEN
SM435	MESH 25 x 100 x 5 mm - WOVEN	SM472	MESH 50 x 100 x 5 mm - WOVEN
SM450	MESH 25 x 25 x 5 mm - WOVEN	SM473	MESH 55 x 100 x 5 mm - WOVEN
SM452	MESH 35 x 35 x 5 mm - WOVEN	SM474	MESH 60 x 100 x 7 mm - WOVEN
SM454	MESH 45 x 45 x 6 mm - WOVEN	SM476	MESH 75 x 100 x 8 mm - WOVEN
SM456	MESH 50 x 50 x 8 mm - WOVEN	SM478	MESH 75 x 75 x 12 mm - WOVEN
SM458	MESH 60 x 60 x 8 mm - WOVEN	SM479	MESH 85 x 85 x 12 mm - WOVEN
SM468	MESH 30 x 100 x 3 mm - WOVEN	SM480	MESH 100 x 100 x 12 mm - WOVEN
SM469	MESH 35 x 100 x 5 mm - WOVEN	SM485	MESH 125 x 125 x 12 mm - WOVEN